

# TECHNICAL DATASHEET

Reference: RAK90530

Product: Seat-cover Paper Dispenser



**RAK90530**  
Stainless Steel

## Product Description:

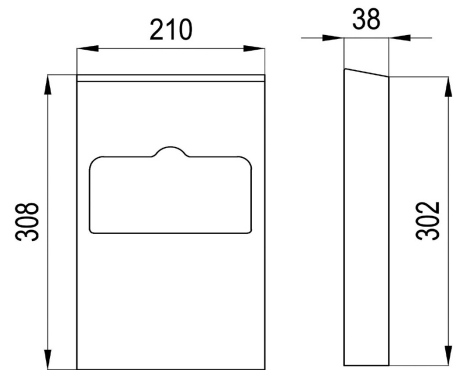
Seat-cover Paper Dispenser  
Wall mounted With screws and dowels  
Key lock for protection  
Up to 250 seat cover  
210 x 38 x 308 mm

## Advertisement:

- \* KLUDI RAK LLC item no. RAK90530
- \* S. S Satin finish (Grade 304)

Seat-cover Paper Dispenser, KLUDI RAK LLC item no. RAK90530. with screws and dowels wall fastening with key lock for security. Overall Size 210 mm L x 38 mm W x 308 mm H. capacity: up to 250 sheet seat covers

## Line Drawing:



RAK90530 online

4/11/2021

**KLUDI**  

---

**RAK**  
"We Stand for Water Saving"