

# TECHNICAL DATASHEET

Reference: RAK18008-09

Product: PEAK wall-mounted single lever sink mixer



RAK18008-09

chrome

## Product Description:

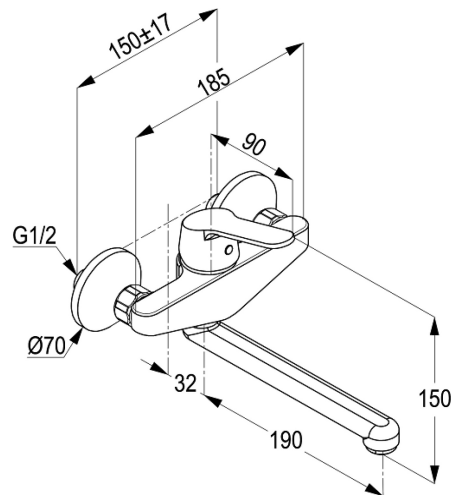
wall mounted single lever sink mixer DN 15  
wall fastening  
solid lever  
ceramic cartridge with hot water safety device  
PCA aerator M24 x 1  
flow level 3.8 ltr/min#  
swiveling (185 degree) spout L = 200 mm  
S-unions 1/2 inch x 3/4 inch  
in accordance to EN 817  
Pressure Compensating Aerator 3.8 ltr/min (1 gpm)#

## Advertisement:

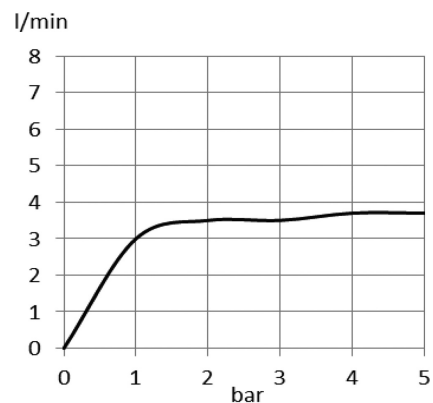
- \* KLUDI RAK LLC item no. RAK18008-09 PEAK wall mounted single lever sink mixer
- \* chrome plated brass, in accordance to EN 50930-6
- \* in accordance to EN 817
- \* ceramic cartridge K-35 with hot water safety device

wall mounted single lever sink mixer, manufacturer KLUDI RAK LLC, KLUDI RAK PEAK item no. RAK18008-09, type: wall mounted single lever sink mixer, DN 15/PN 10, with swiveling (185°) spout L = 200 mm, chrome plated brass, solid lever, chrome plated metal, ceramic cartridge K-35, with hot water safety device, wall fastening, PCA aerator M24 x 1, flow level 3.8 ltr/min, S-unions 1/2 inch x 3/4 inch, dimensions: projection spout connection 32 mm, swiveling spout ~ 185°, projection spout 222 mm, lever projection 90 mm

## Line Drawing:



## Water Flow Rate#:



# variation: ± 15%



RAK18008-09 online

2/6/2021

**KLUDI**  
**RAK**

"We Stand for Water Saving"