

Product: KLUDI SIRENAFLEX-hose DN 15

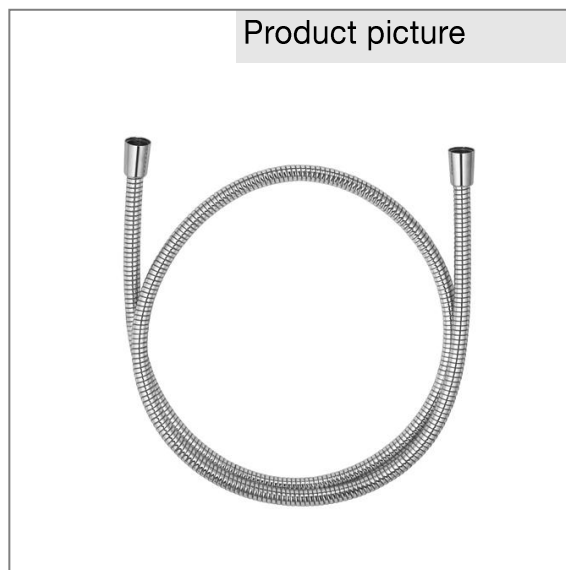
Ref.: 6100405-00

Product description

SIRENAFLEX-hose DN 15
 plastic coated
 with metal-effect
 with conical nuts
 G 1/2 x G 1/2 x 1250 mm

Finishes:
 05 chrome

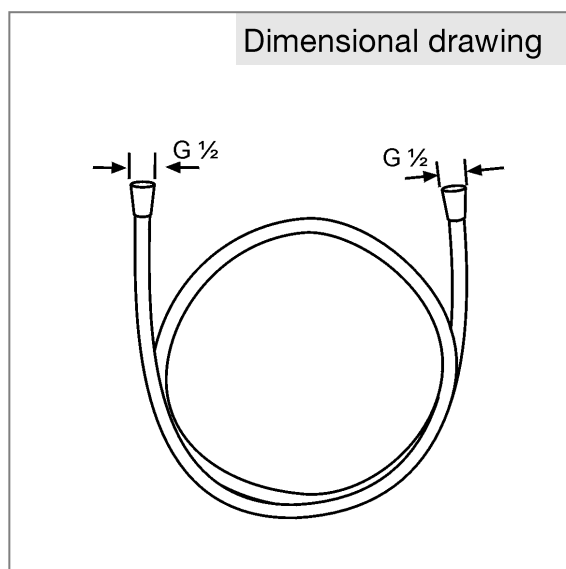
Product picture



Advertisement

shower hose, manufacturer KLUDI GmbH & Co KG KLUDI SIRENAFLEX hose item no. 6100405-00, DN 15, with metal-effect, with conical nuts, 1/2 x 1/2 inch x 1250 mm, PN 5,

Dimensional drawing



Flow rate diagram

