

# TECHNICAL DATASHEET

Reference: RAK91004

Product: Toilet Roll Holder



RAK91004  
Stainless Steel

## Product Description:

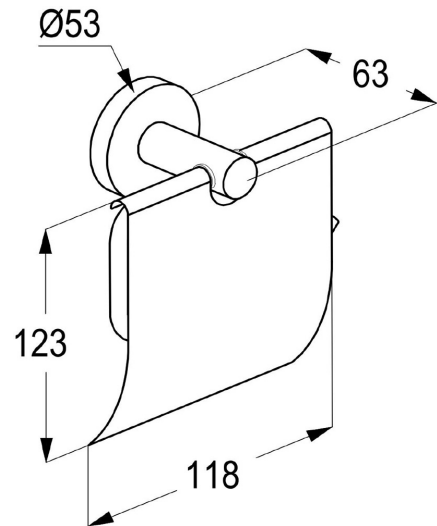
Toilet Roll Holder  
Wall fastening with screws and dowels  
with adjustable guide plate  
123 x 118 mm

## Advertisement:

- \* KLUDI RAK LLC item no. RAK91004
- \* S. S Satin finish (Grade 304)

Toilet Roll Holder, KLUDI RAK LLC item no. RAK91004,  
wall fastening, with screws and dowels, with adjustable  
guide plate, Projection from wall 63 mm, Rosette  
diameter 53 mm, cover plate width 123 x 118 mm

## Line Drawing:



RAK91004 online

4/11/2021

**KLUDI**  
**RAK**  
"We Stand for Water Saving"