

# TECHNICAL DATASHEET

Reference: RAK90210

Product: Single Paper Roll Holder



**RAK90210**

Stainless Steel

## Product Description:

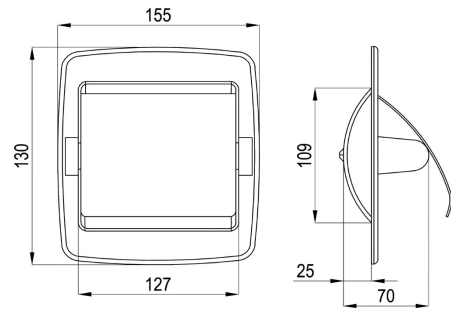
Single Paper Holder  
Face plates have flares edges hemmed  
edges to prevent injury  
Die stamped  
Recessed  
With screws and dowels  
155 x 130 mm

## Advertisement:

- \* KLUDI RAK LLC item no. RAK90210
- \* S. S Mirror finish (Grade 304)

Recessed Single Paper Holder, KLUDI RAK LLC item no. RAK90210, Face plates have flared edges and snaps firmly into wall housing. Die stamped dispensing area has hemmed edges to prevent injury and tissue tearing. Spring steel covered by ABS tissue rod. Size: Width 155 mm, Height 130 mm

## Line Drawing:



RAK90210 online

4/11/2021

**KLUDI**  
**RAK**  
"We Stand for Water Saving"