

TECHNICAL DATASHEET

Reference: RAK6080005

Product: PRIME 3S hand-held shower



RAK6080005

chrome

Product Description:

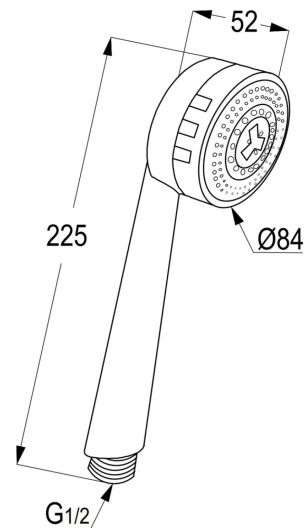
Hand-held shower
with quick lime
deposit cleaning system
jet kind: rain shower, soft spray, massage spray
connection G 1/2 inch

Advertisement:

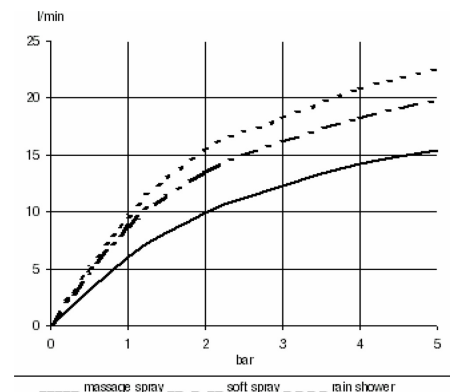
- * KLUDI RAK LLC Hand-held shower 3S item no. RAK6080005
- * chrome plated plastic
- * hand shower in accordance to DIN EN 1112

Hand-held shower 3S, manufacturer KLUDI RAK LLC item no. RAK6080005, DN 15 chrome plated plastic, noise level DIN EN 4109 Group I, without report no., flow class B, with quick lime deposit cleaning system, jet kind: rain shower/soft spray/massage spray, for pressure type water heater, for continuous line heater (at 0.15 ltr/second), connection G 1/2 inch, diameter shower head \varnothing 84 mm, length 230 mm, for using with water pressure 1 - 5 bar

Line Drawing:



Water Flow Rate#:



variation: \pm 15%



RAK6080005 online

1/6/2021

KLUDI
RAK
"We Stand for Water Saving"