

TECHNICAL DATASHEET

Reference: RAK50003-09

Product: Wall mounted self closing tap - push type



RAK50003-09

chrome

Product Description:

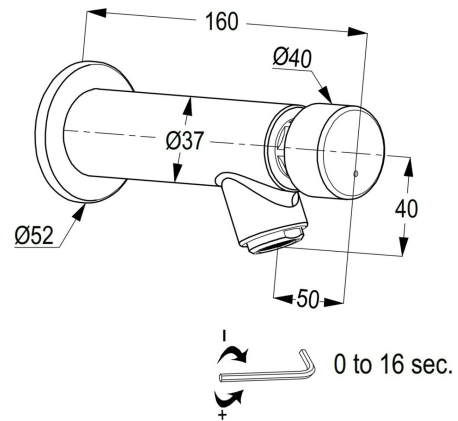
self-closing tap
metal handle
single hole wall mounted
aerator M24 x 1
Minimum working pressure 0.1 bar
maximum working pressure 3 bar
time of water flow 0 to 16 second
with 2 mm Allen key for time adjustment
Pressure Compensating Aerator 3.78 ltr/min (1 gpm)#

Advertisement:

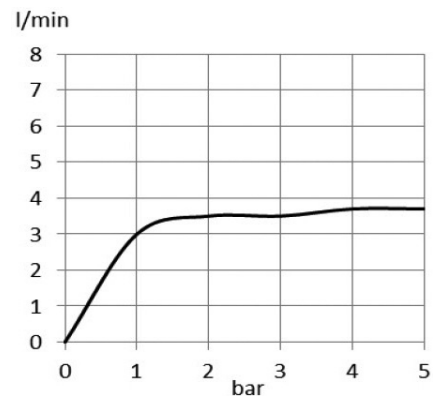
- * KLUDI RAK LLC item no. RAK50003-09
- * chrome plated brass, in accordance to EN 50930-6
- * automatic close after pushing
- * time of water flow 0 to 16 second
- * working pressure 0.1 to 3 bar

self-closing tap wall mounted, manufacturer KLUDI RAK LLC, KLUDI RAK RAK50003-09, DN 15, chrome plated brass, type: push type, nozzle projection 117.5 mm, aerator 3.78 ltr/min (1 gpm) time of water flow 0 to 16 second, minimum working pressure 0.1 bar and maximum working pressure 3 bar, time of water flow can adjust, with 2 mm Allen key

Line Drawing:



Water Flow Rate#:



variation: ± 15%



RAK50003-09 online

1/6/2021

KLUDI
RAK
"We Stand for Water Saving"