

TECHNICAL DATASHEET

Reference: RAK48005

Product: Dual shower system L = 1160 mm



RAK48005

chrome

Product Description:

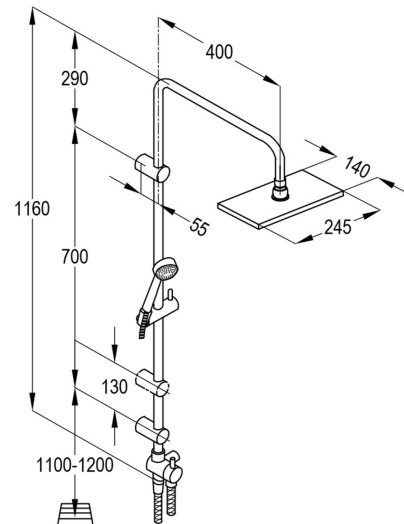
solid lever
wall fastening
hand/head shower
two way ceramic diverter
with 1S hand-held shower 1/2 inch
ridgeless adjustable shower holder
vertically and cylindrically adjustable shower holder
shower hoses with 1/2 inch nut
with fixing kit
swivel square head shower with cleaning system

Advertisement:

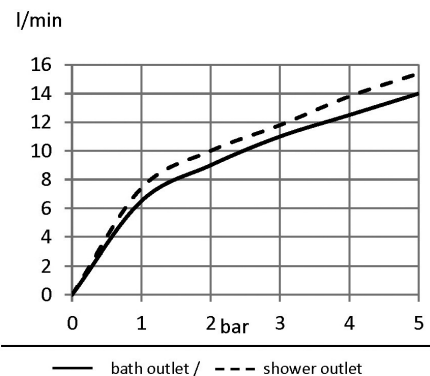
- * KLUDI RAK LLC item no. RAK48005
- * chrome plated brass
- * in accordance to DIN EN 1112/1113
- * with two way ceramic diverter

Dual shower system DN 15, manufacturer KLUDI RAK LLC item no. RAK48005 chrome plated brass, wall fastening, with 1S hand-held shower DN 15, with shower hose 1/2 inch x 1/2 inch x 800 mm length for connection between shower system and shower mixer and shower hose 1/2 inch x 1/2 inch x 1500 mm length for using hand-held shower, chrome plated square head shower, with 128 shower sprays, with one fixed wall holder (above) and one adjustable wall holder (lower) for borehole distance 620 mm, for pressure type water heater, for continuous line heater

Line Drawing:



Water Flow Rate#:



variation: ± 15%



RAK48005 online

1/6/2021

KLUDI
RAK

"We Stand for Water Saving"