

TECHNICAL DATASHEET

Reference: RAK32009-09

Product: ABS shattaf with hose and holder (white)



RAK32009-09

white

Product Description:

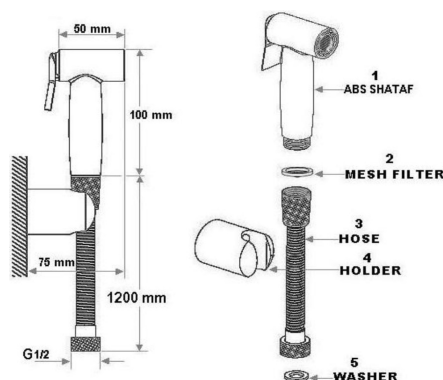
ABS Shattaf
SS 304 braided pull out anti explosive hose
double lock hose DN15
with wall bracket
with mesh filter
with spray type flow straightener

Advertisement:

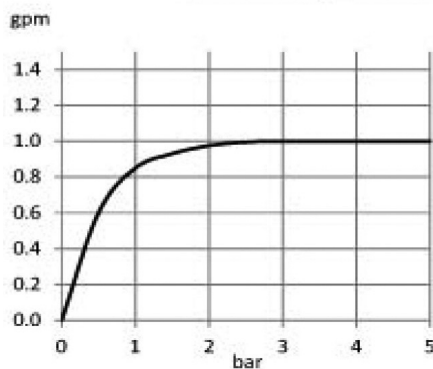
* KLUDI RAK LLC item no. RAK32009-09
* ABS White

ABS shattaf, manufacturer KLUDI RAK LLC, item no. RAK32009-09, flex hose, with SS 304 braided pull out double lock anti explosive hose with 1/2 inch connection. wall bracket, with screw and fisher plug, with spray type flow straightener

Line Drawing:



Water Flow Rate#:



variation: ± 15%



RAK32009-09 online

22/12/2021

KLUDI
RAK

"We Stand for Water Saving"