

# TECHNICAL DATASHEET

Reference: RAK30060-09

Product: POLO single lever XL basin mixer



RAK30060-09

chrome

## Product Description:

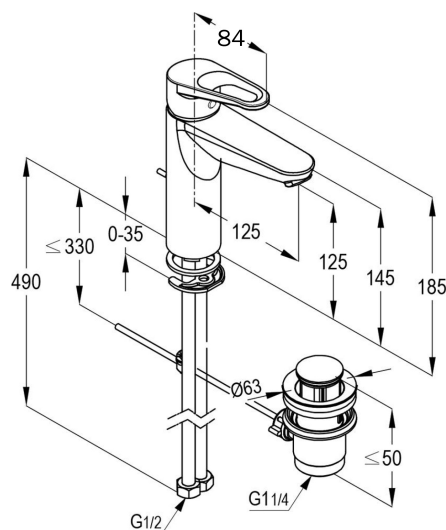
single lever basin mixer DN 15  
single hole mounted  
solid lever  
ceramic cartridge with hot water safety device  
PCA aerator M24 x 1  
flexible high pressure supply tubes 1/2 inch  
flow level 1.0 gpm (3.8 ltr/min)#  
rapid installation set  
pop up waste 1 1/4 inch  
in accordance to EN 817  
Pressure Compensating Aerator 1.0 gpm (3.8 ltr/min)#

## Advertisement:

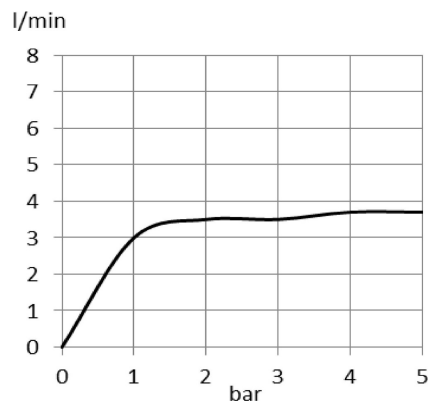
\* KLUDI RAK LLC item no. RAK30060-09 POLO XL  
single lever basin mixer  
\* chrome plated brass, in accordance to EN 50930-6  
\* in accordance to EN 817  
\* ceramic cartridge K-35 with hot water safety device

single lever XL basin mixer, manufacturer KLUDI RAK  
LLC KLUDI RAK POLO item no. RAK30060-09 type:  
single lever basin mixer, DN 15/PN 10, chrome plated  
brass, solid lever, chrome plated metal, ceramic  
cartridge K-35 with hot water safety device, PCA  
aerator M24 x 1, flow level 1.0 gpm (3.8 ltr/min), flexible  
high pressure supply tubes 1/2 inch with  
DVGW/KIWA/WRAS/CSTBAT approval, rapid  
installation set, with pop up waste 1 1/4 inch  
dimensions: height 185 mm, nozzle height 125 mm,  
nozzle projection 125 mm, lever projection 84 mm

## Line Drawing:



## Water Flow Rate#:



# variation: ± 15%



RAK30060-09 online

1/6/2021

**KLUDI**  
**RAK**

"We Stand for Water Saving"