

TECHNICAL DATASHEET

Reference: RAK30040-09

Product: POLO STAR E single lever basin mixer



RAK30040-09

chrome

Product Description:

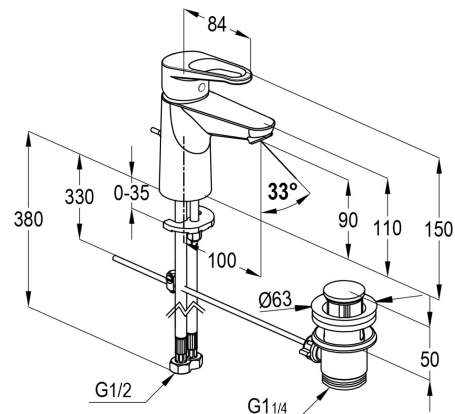
single lever basin mixer DN 15
single hole mounted
solid lever
ceramic cartridge with hot water safety device
pop up waste 1 1/4 inch
aerator M24 x 1
flow rate 1 gpm (3.8 ltr/min)#
flexible high pressure supply tubes 1/2 inch
rapid installation set
in accordance to EN 817
Pressure Compensating Aerator 1 gpm (3.8 ltr/min)#

Advertisement:

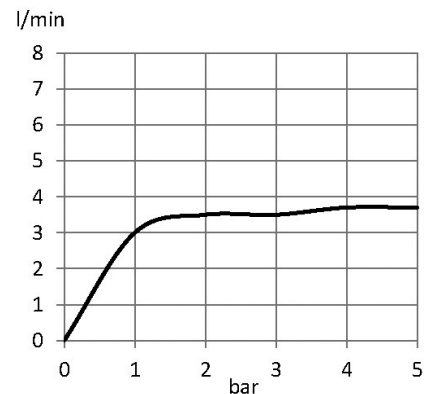
- * KLUDI RAK LLC item no. RAK30040-09 POLO STAR E single lever basin mixer
- * chrome plated brass, in accordance to EN 50930-6
- * in accordance to EN 817
- * ceramic cartridge K-35 with hot water safety device

single lever basin mixer, manufacturer KLUDI RAK LLC, KLUDI RAK POLO STAR E item no. RAK30040-09, type: single lever basin mixer, DN 15/PN 10, chrome plated brass, solid lever, chrome plated metal, ceramic cartridge K-35, with hot water safety device, aerator M24 x 1, flow rate 1 gpm, flexible high pressure supply tubes 1/2 inch, with DVGW/KIWA/WRAS/CSTBAT approval, rapid installation set, with pop up waste 1 1/4 for pressure type water heater/continuous line heater, dimensions: height 150 mm, nozzle height 90 mm, nozzle projection 100 mm, lever projection 84 mm

Line Drawing:



Water Flow Rate#:



variation: ± 15%



RAK30040-09 online

2/6/2021

KLUDI
RAK

"We Stand for Water Saving"