

TECHNICAL DATASHEET

Reference: RAK22069

Product: Brass chrome plated L bend pipe



RAK22069

chrome

Product Description:

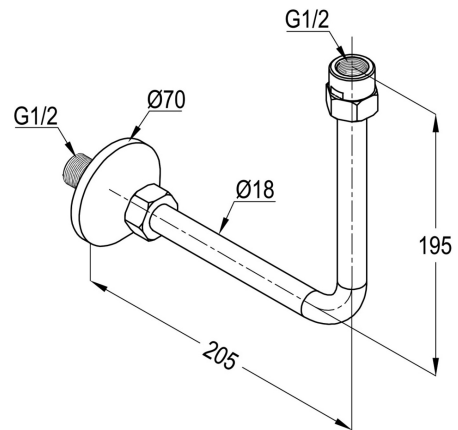
L bend pipe 90 degree
projection from wall 205 mm
1/2 inch connecting nut to mixer
easy to install
with rosette
wall side connection 1/2 inch male thread
suitable for mixer DN15 and PN10
with rubber seal at both end

Advertisement:

* KLUDI RAK LLC item no. RAK22069
* chrome plated brass/ABS

L bend pipe, manufacturer KLUDI RAK LLC item no. RAK22069, DN 15, chrome plated brass, both end 1/2 inch, with rosette, easy to install, brass chrome plated tube diameter 18 mm, projection from wall 205 mm, PN 10, shower connection 1/2 inch, rosette diameter 70 mm, 1/2 inch hexagonal nut at wall connection side

Line Drawing:



RAK22069 online

1/6/2021

KLUDI
RAK
"We Stand for Water Saving"