

# TECHNICAL DATASHEET

Reference: RAK18060-09

Product: PEAK single lever XL basin mixer



RAK18060-09

chrome

## Product Description:

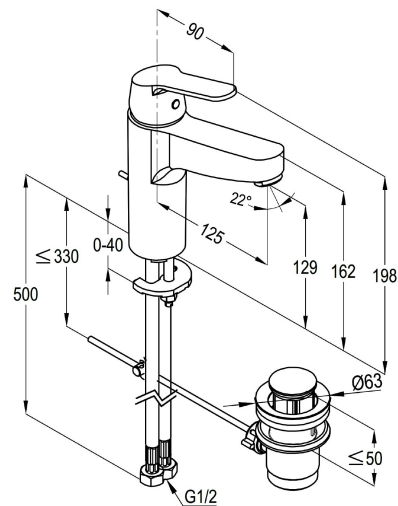
single lever basin mixer XL DN 15  
single hole mounted  
solid lever  
ceramic cartridge with hot water safety device  
PCA aerator M24 x 1  
flow rate 3.8 ltr/min (1 gpm)#  
flexible high pressure supply tubes 1/2 inch  
rapid installation set  
pop up waste 1 1/4 inch  
in accordance to EN 817  
Pressure Compensating Aerator 3.8 ltr/min (1 gpm)#

## Advertisement:

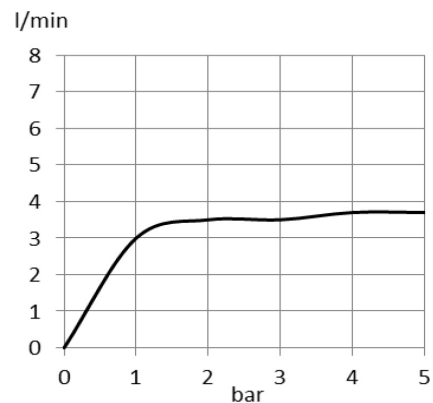
- \* KLUDI RAK LLC item no. RAK18060-09 PEAK single lever basin mixer XL
- \* chrome plated brass, in accordance to EN 50930-6
- \* in accordance to EN 817
- \* ceramic cartridge K-35 with hot water safety device

single lever basin mixer XL, manufacturer KLUDI RAK LLC, KLUDI RAK PEAK item no. RAK18060-09, type: single lever basin mixer XL, DN 15/PN 10, chrome plated brass, solid lever, chrome plated metal, ceramic cartridge K-35, with hot water safety device, PCA aerator M24 x 1, flow rate 3.8 ltr/min, flexible high pressure supply tubes 1/2 inch, with DVGW/KIWA/WRAS/CSTBAT approval, rapid installation set, with pop up waste 1 1/4 inch, lever projection 90 mm dimensions: height 198 mm, nozzle height 129 mm, nozzle projection 125 mm

## Line Drawing:



## Water Flow Rate#:



# variation: ± 15%



RAK18060-09 online

1/6/2021

**KLUDI**  
**RAK**  
"We Stand for Water Saving"