

# TECHNICAL DATASHEET

Reference: RAK18028-09

Product: PEAK single lever basin mixer (side lever)



RAK18028-09

chrome

## Product Description:

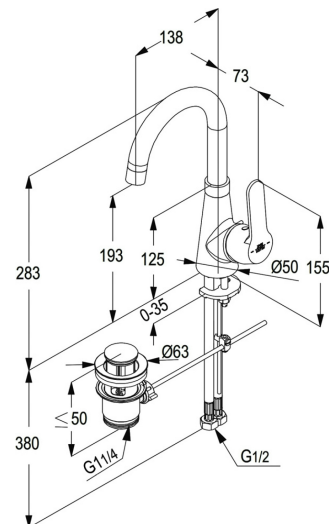
solid lever  
single hole mounted  
flow rate 3.8 ltr/min#  
aerator M22 x 1  
ceramic cartridge with hot water safety device 35 mm  
swivel U spout  
flexible high pressure supply tubes 1/2 inch  
rapid installation set  
in accordance to EN 817  
pop up waste 1 1/4 inch  
Pressure Compensating Aerator 3.8 ltr/min (1 gpm)#

## Advertisement:

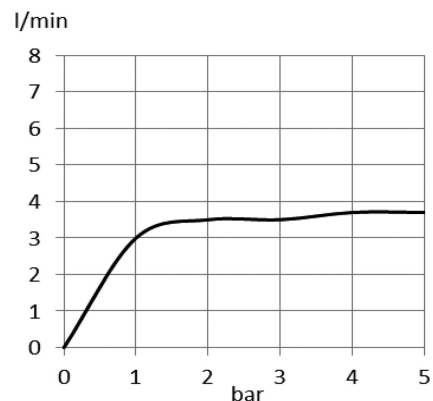
- \* KLUDI RAK LLC item no. RAK18028-09
- \* chrome plated brass, in accordance to EN 50930-6
- \* in accordance to EN 817
- \* ceramic cartridge with hot water safety device  $\varnothing$  35 mm

single lever Basin mixer, manufacturer KLUDI RAK LLC item no. RAK18028-09, DN 15, chrome plated brass, type: single lever sink mixer, solid lever, with swivel U spout, with aerator M22 x 1, noise level DIN EN 4109 group I, report no. P-IX, flow rate 3.8 ltr/min, ceramic cartridge with hot water safety device  $\varnothing$  35 mm, flexible high pressure supply tubes 1/2 inch, with DVGW/KIWA/WRAS approved, with metal body length 380 mm, lever projection 90 mm, nozzle projection 138 mm, overall height 283 mm, nozzle height 193 mm, for borehole diameter minimum 32 mm, rapid installation set, for pressure type water heater, continuous line heater, PN 10

## Line Drawing:



## Water Flow Rate#:



# variation:  $\pm$  15%



RAK18028-09 online

1/6/2021

**KLUDI**  
**RAK**

"We Stand for Water Saving"