

# TECHNICAL DATASHEET

Reference: RAK17003-87

Product: PEARL single lever shower mixer



RAK17003-87

chrome

## Product Description:

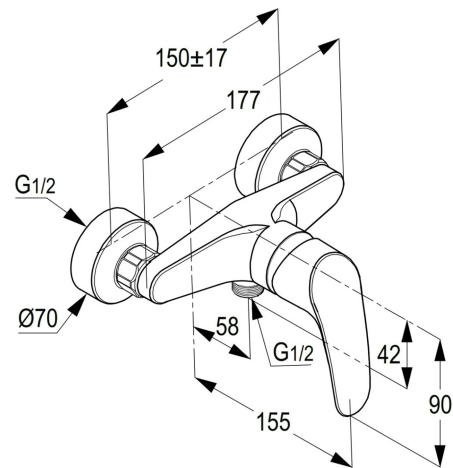
single lever shower mixer DN 15  
wall fastening  
solid lever  
flow regulator 8.0 ltr/min#  
ceramic cartridge with hot water safety device  
shower connection 1/2 inch  
protected against backflow  
S-unions 1/2 inch x 3/4 inch  
in accordance to EN 817

## Advertisement:

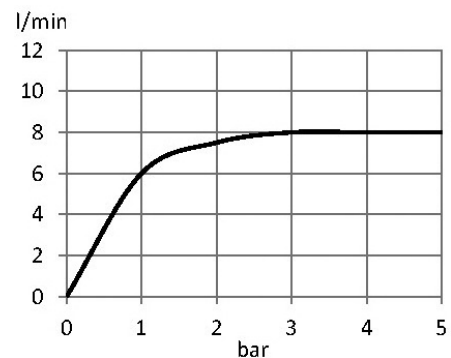
- \* KLUDI RAK LLC item no. RAK17003-87 PEARL single lever shower mixer
- \* chrome plated brass, in accordance to EN 50930-6
- \* in accordance to EN 817, EN 1717
- \* ceramic cartridge K-35 with hot water safety device

single lever shower mixer, manufacturer KLUDI RAK LLC, KLUDI RAK PEARL item no. RAK17003-87, type: single lever shower mixer, DN 15/PN 10, chrome plated brass, solid lever, chrome plated metal, ceramic cartridge K-35, with hot water safety device, protected against backflow, EN 1717, shower connection 1/2 inch, with flow regulator 8.0 ltr/min, wall fastening, S-unions 1/2 inch x 3/4 inch, for pressure type water heater, for continuous line heater dimensions: projection 155 mm, projection shower connection 58 mm, lever projection 90 mm

## Line Drawing:



## Water Flow Rate#:



# variation: ± 15%



RAK17003-87 online

1/6/2021

**KLUDI**  
**RAK**

"We Stand for Water Saving"