

TECHNICAL DATASHEET

Reference: RAK15004-09

Product: HARMONY single lever sink mixer



RAK15004-09

chrome

Product Description:

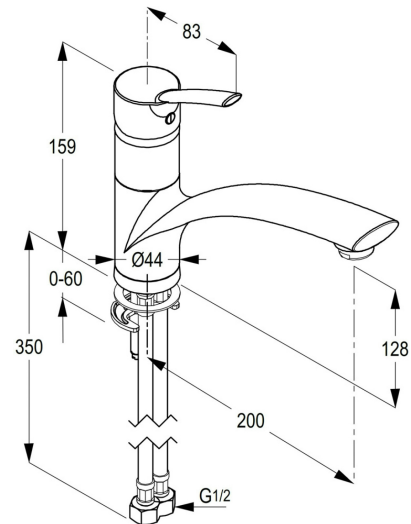
solid lever
single hole mounted
flow level 3.78 ltr/min (1 gpm)#
PCA aerator M24 x 1
ceramic cartridge with hot water safety device
flexible high pressure supply tubes 1/2 inch
rapid installation set
in accordance to EN 817
Pressure Compensating Aerator 3.78 ltr/min (1 gpm)#

Advertisement:

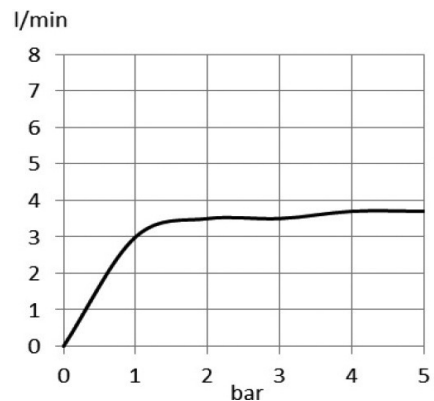
- * KLUDI RAK LLC item no. RAK15004-09
- * chrome plated brass, in accordance to EN 50930-6
- * in accordance to EN 817
- * ceramic cartridge with hot water safety device \varnothing 35 mm

single lever sink mixer, manufacturer KLUDI RAK LLC item no. RAK15004-09, DN 15, chrome plated brass, solid lever, ceramic cartridge with hot water safety device \varnothing 35 mm, with PCA aerator M24 x 1, flexible high pressure supply tubes 1/2 inch, with DVGW/KIWA/WRAS, with metal body length 350 mm, lever projection 83 mm, nozzle projection 200 mm, nozzle height 128 mm, overall height 159 mm, rapid installation set, flow rate 3.78 ltr/min, for pressure type water heater, continuous line heater, PN 10

Line Drawing:



Water Flow Rate#:



variation: \pm 15%



RAK15004-09 online

1/6/2021

KLUDI
RAK
"We Stand for Water Saving"