

# TECHNICAL DATASHEET

Reference: RAK14114-09\*

Product: PROFILE STAR single lever sink mixer



\*RAK14114-09

Chrome Finish



\*RAK14114-09.GD1

Gold Color  
Glossy Finish



\*RAK14114-09.RG1

Rose Gold Color  
Glossy Finish



\*RAK14114-09.BK1

Black Color  
Glossy Finish

## Product Description:

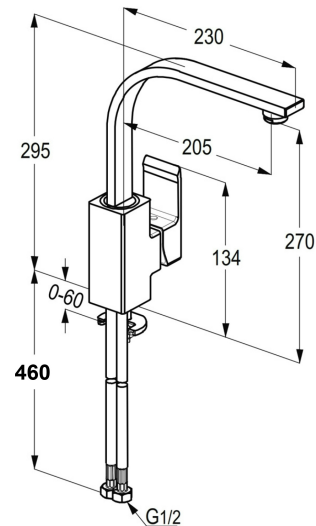
single lever sink mixer DN 15  
single hole mounted  
ceramic cartridge with hot water safety device 35 mm  
swiveling (360 degree) rectangular spout L = 205 mm  
PCA aerator M24 x 1  
flow level 3.8 ltr/min#  
flexible high pressure supply tubes 1/2 inch  
rapid installation set  
in accordance to EN 817  
Pressure Compensating Aerator 3.8 ltr/min#

## Advertisement:

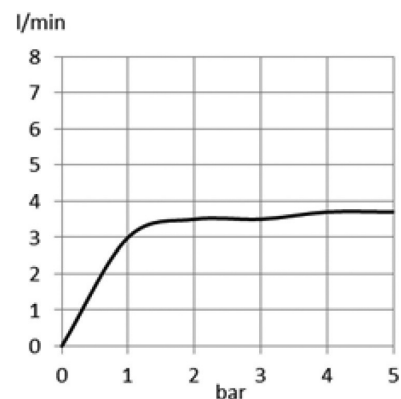
- \* KLUDI RAK LLC item no. RAK14114-09 Profile star single lever sink mixer
- \* Chrome plated/PVD Gold/PVD Rose Gold/PVD Black brass, in accordance to EN 50930-6
- \* in accordance to EN 817
- \* ceramic cartridge K-35

single lever sink mixer, manufacturer KLUDI RAK LLC, KLUDI RAK PROFILE STAR item no. RAK14114-09, type: single lever sink mixer, DN 15/PN 10, with swiveling (360°) rectangular spout L = 230 mm, solid lever, Chrome plated/PVD Gold/PVD Rose Gold/PVD Black metal, ceramic cartridge K-35, PCA aerator M24 x 1, flow level 3.8 ltr/min, flexible high pressure supply tubes 1/2 inch, with DVGW/KIWA/WRAS/CSTBAT approval, rapid installation set, for pressure type water heater, for continuous line heater dimensions: height 295 mm, nozzle height 270, nozzle projection 205 mm, lever projection 134 mm

## Line Drawing:



## Water Flow Rate#:



# variation: ± 15%



RAK14114-09 online

2/6/2021

**KLUDI**  
**RAK**

"We Stand for Water Saving"