

TECHNICAL DATASHEET

Reference: RAK14014-09

Product: PROFILE single lever sink mixer with swivel spout



RAK14014-09

chrome

Product Description:

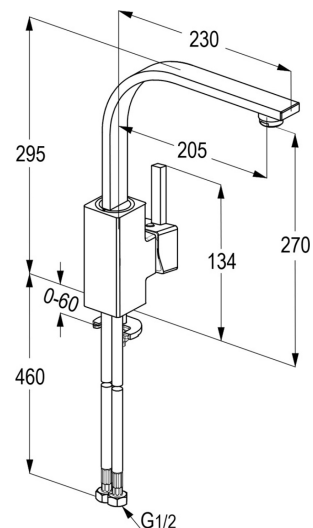
single lever sink mixer DN15
single hole mounted
solid lever
ceramic cartridge with hot water safety device
swiveling spout
PCA aerator M24 x 1
flow rate 3.8 ltr/min#
flexible high pressure supply tubes 1/2 inch
rapid installation set
Pressure Compensating Aerator 3.8 ltr/ min

Advertisement:

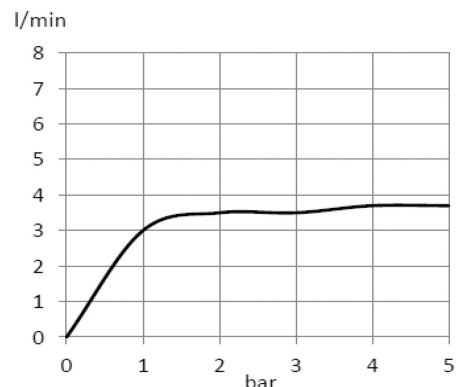
- * KLUDI RAK LLC item no. RAK14014-09
- * chrome plated brass, in accordance to EN 50930-6
- * in accordance to EN817
- * ceramic cartridge with hot water safety device \varnothing 35 mm

single-lever sink mixer, manufacturer KLUDI RAK LLC item no. RAK14014-09, type: single lever sink mixer, DN 15/PN 10, with swiveling spout, chrome plated brass, solid lever, chrome plated metal, noise level DIN 4109 group I, ceramic cartridge K-35 with hot water safety device, PCA aerator M24 x 1, flow rate 3.8 ltr/min, flexible high pressure supply tubes 1/2 inch with DVGW/KIWA/WRAS/CSTBAT approval, rapid installation set, for pressure type water heater, for continuous line heater, dimensions: height 295 mm, nozzle height 270 mm, nozzle projection 205 mm, lever projection 85 mm

Line Drawing:



Water Flow Rate#:



variation: \pm 15%



RAK14014-09 online

1/6/2021

KLUDI
RAK
"We Stand for Water Saving"