

TECHNICAL DATASHEET

Reference: RAK13028-09

Product: PASSION single lever basin mixer



RAK13028-09

chrome

Product Description:

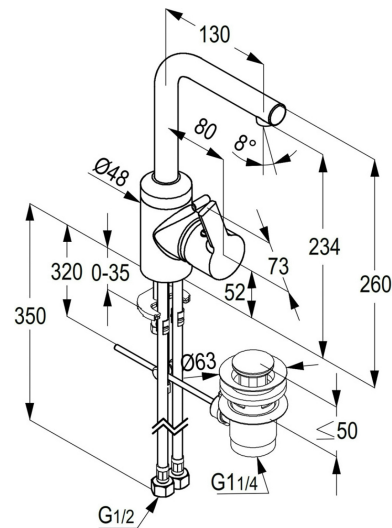
single lever basin mixer DN 15
single hole mounted
solid lever
ceramic cartridge with hot water safety device
swiveling spout
PCA cache aerator M16.5 x 1
flow rate 3.8 ltr/min#
flexible high pressure supply tubes 1/2 inch
rapid installation set
pop up waste 1 1/4 inch
Pressure Compensating Aerator 3.8 ltr/min#

Advertisement:

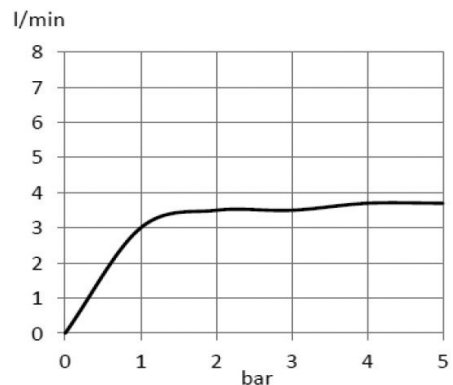
- * KLUDI RAK LLC item no. RAK13028-09
- * chrome plated brass, in accordance to EN 50930-6
- * in accordance to EN 817
- * ceramic cartridge with hot water safety device \varnothing 35 mm

single lever basin mixer, manufacturer KLUDI RAK LLC item no. RAK13028-09, type: single lever basin mixer, DN 15/PN 10, with swiveling spout, chrome plated brass, solid lever, chrome plated metal, noise level DIN 4109 group I, ceramic cartridge K-35, with hot water safety device, PCA cache aerator M16.5 x 1, flow rate 3.8 ltr/min, flexible high pressure supply tubes 1/2 inch, with DVGW/KIWA/WRAS/CSTBAT approval, rapid installation set, with pop up waste 1 1/4 inch, for pressure type water heater, for continuous line heater, dimensions: height 260 mm, nozzle height 234 mm, nozzle projection 130 mm, lever projection 73 mm

Line Drawing:



Water Flow Rate#:



variation: \pm 15%



RAK13028-09 online

1/6/2021

KLUDI
RAK

"We Stand for Water Saving"