

TECHNICAL DATASHEET

Reference: RAK13001-09*

Product: PASSION single lever bidet mixer



*RAK13001-09
Chrome Finish



*RAK13001-09.GD1
Gold Color
Glossy Finish



*RAK13001-09.RG1
Rose Gold Color
Glossy Finish



*RAK13001-09.BK1
Black Color
Glossy Finish

Product Description:

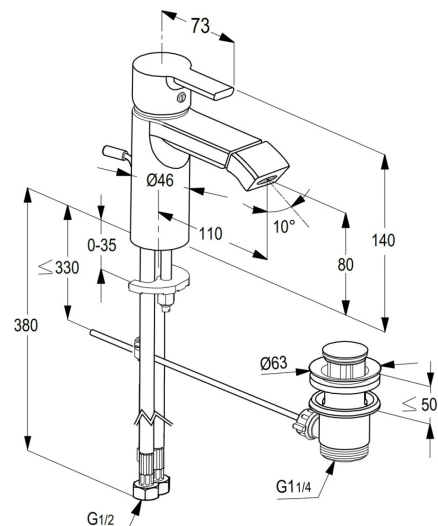
single lever bidet mixer DN 15
single hole mounted
solid lever
ceramic cartridge with hot water safety device
ball joint PCA cache aerator M18.5 x 1
flow rate 3.78 ltr/min (1 gpm)#
flexible high pressure supply tubes 1/2 inch
rapid installation set
pop up waste 1 1/4 inch
in accordance to EN 817
Pressure Compensating Aerator 3.78 ltr/min (1 gpm)#

Advertisement:

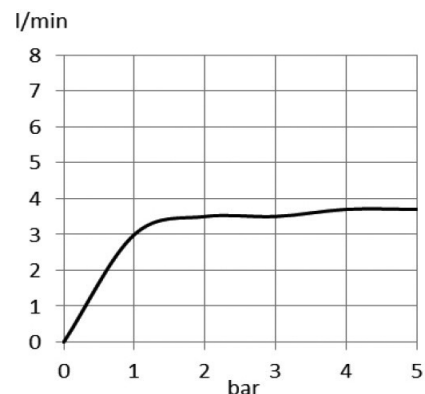
* KLUDI RAK LLC item no. RAK13001-09 PASSION
single lever bidet mixer
* Chrome plated/PVD Gold/PVD Rose Gold/PVD Black
brass, in accordance to EN 50930-6
* in accordance to EN 817
* ceramic cartridge K-35 with hot water safety device

single lever bidet mixer, manufacturer KLUDI RAK LLC,
KLUDI RAK PASSION item no. RAK13001-09, type:
single lever bidet mixer, DN 15/PN 10, Chrome
plated/PVD Gold/PVD Rose Gold/PVD Black metal, solid
lever, Chrome plated/PVD Gold/PVD Rose Gold/PVD
Black metal, ceramic cartridge K-35 with hot water
safety device, ball joint PCA cache aerator M18.5 x 1,
flow rate 3.78 ltr/min, flexible high pressure supply tubes
1/2 inch, with DVGW/KIWA/WRAS/CSTBAT approval,
rapid installation set, with pop up waste 1 1/4 inch,
dimensions: height 140 mm, nozzle height 80 mm,
nozzle projection 110 mm, lever projection 73 mm

Line Drawing:



Water Flow Rate#:



variation: ± 15%



RAK13001-09 online

1/6/2021

KLUDI
RAK
"We Stand for Water Saving"