

TECHNICAL DATASHEET

Reference: RAK12008-87*

Product: PRIME single lever shower mixer



*RAK12008-87

Chrome Finish



*RAK12008-87.GD1

Gold Color

Glossy Finish



*RAK12008-87.RG1

Rose Gold Color

Glossy Finish



*RAK12008-87.BK1

Black Color

Glossy Finish

Product Description:

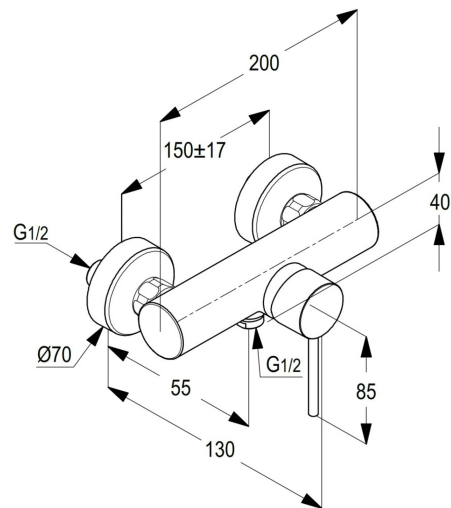
single lever shower mixer DN 15
wall fastening
solid lever
flow regulator 8.0 ltr/min#
ceramic cartridge with hot water safety device
shower connection 1/2 inch
protected against backflow
S-unions 1/2 inch x 3/4 inch
in accordance to EN 817

Advertisement:

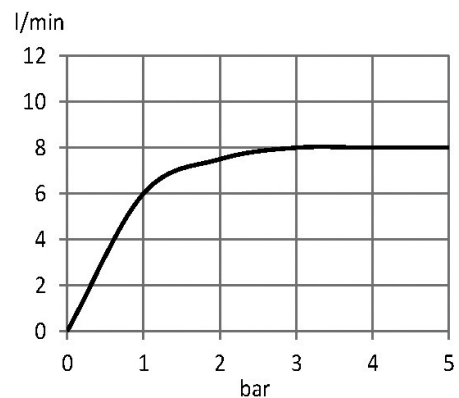
- * KLUDI RAK LLC item no. RAK12008-87 PRIME single lever shower mixer
- * Chrome plated/PVD Gold/PVD Rose Gold/PVD Black brass, in accordance to EN 50930-6
- * in accordance to EN 817, EN 1717
- * ceramic cartridge K-35 with hot water safety device

single lever shower mixer, manufacturer KLUDI RAK LLC, KLUDI RAK PRIME item no. RAK12008-87, type: single lever shower mixer, DN 15/PN 10, Chrome plated/PVD Gold/PVD Rose Gold/PVD Black brass, solid lever, Chrome plated/PVD Gold/PVD Rose Gold/PVD Black metal, ceramic cartridge K-35 with hot water safety device, protected against backflow, EN 1717, wall fastening, shower connection 1/2 inch, with flow regulator 8.0 ltr/min, S-unions 1/2 inch x 3/4 inch, dimensions: projection 130 mm, projection shower connection 55 mm, lever projection 85 mm

Line Drawing:



Water Flow Rate#:



variation: ± 15%



RAK12008-87 online

1/6/2021

KLUDI
RAK

"We Stand for Water Saving"