

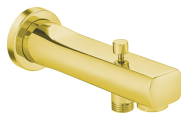
TECHNICAL DATASHEET

Reference: RAK11013*

Product: Wall mounted bath spout with automatic diverter DN 15



***RAK11013**
Chrome Finish



***RAK11013.GD1**
Gold Color
Glossy Finish



***RAK11013.RG1**
Rose Gold Color
Glossy Finish



***RAK11013.BK1**
Black Color
Glossy Finish

Product Description:

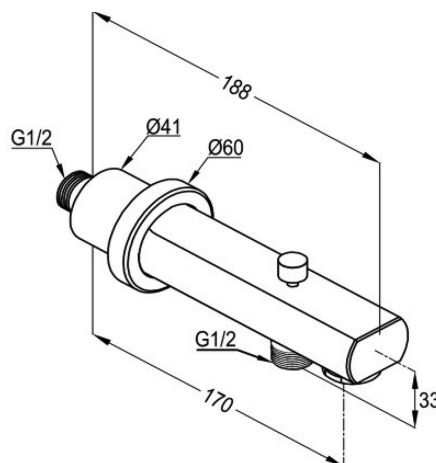
wall mounted bath spout with automatic diverter DN 15
wall fastening
aerator M 28 x 1
flow class BB
automatic diverter: shower to bath tube
shower outlet 1/2 inch
protected against back flow
with sliding cover plate Ø 60 mm
projection 170 mm

Advertisement:

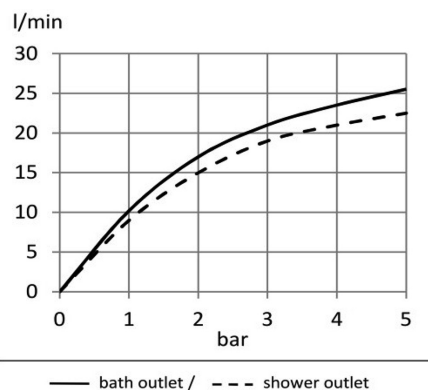
* KLUDI RAK LLC item no. RAK11013 wall mounted bath spout with automatic diverter
* Chrome plated/PVD Gold/PVD Rose Gold/PVD Black brass, in accord. to EN 50930-6
* in accordance to EN 200

wall mounted bath spout with diverter, manufacturer KLUDI RAK LLC KLUDI RAK item no. RAK11013 type: wall mounted bath spout with diverter, DN 15 / PN 10, Chrome plated/PVD Gold/PVD Rose Gold/PVD Black brass, aerator M 28 x 1, flow class B (max. 0.42 l/s), with sliding cover plate, noise level DIN EN 4109, group I, without report no, with automatic diverter: shower to bath tube, protected against back flow, DIN EN 1717, for pressure type water heater, for continuous line heater. dimensions: nozzle projection 170 mm, shower connection 1/2 inch, male thread connection 1/2 inch

Line Drawing:



Water Flow Rate#:



variation: ± 15%



RAK11013 online

4/3/2022

KLUDI
RAK

"We Stand for Water Saving"