

TECHNICAL DATASHEET



RAK11009-09

chrome

Reference: RAK11009-09

Product: PROJECT wall-mounted single lever sink mixer

Product Description:

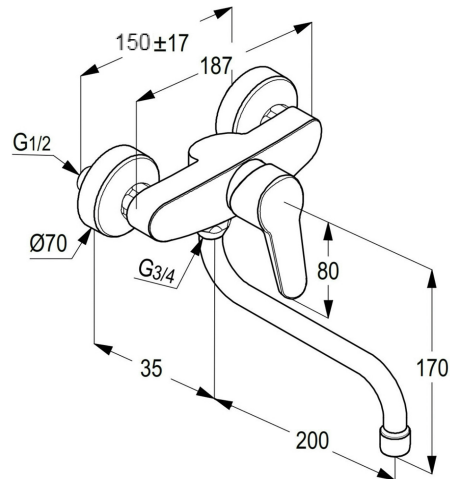
wall mounted single lever sink mixer DN 15
wall fastening
solid lever
flow rate 3.8 ltr/min (1 gpm)#
ceramic cartridge with hot water safety device
PCA M22 x 1
swiveling (185 degree) spout 200 mm
S-unions 1/2 inch x 3/4 inch
in accordance to EN 817
Pressure Compensating Aerator 3.8 ltr/min (1 gpm)#

Advertisement:

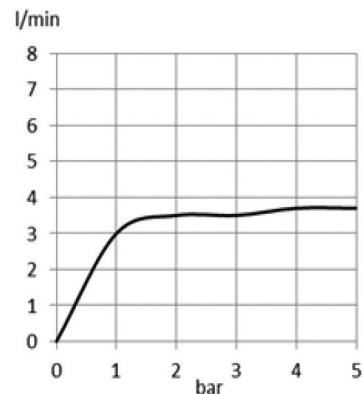
- * KLUDI RAK LLC item no. RAK11009-09 PROJECT wall mounted single lever sink mixer
- * chrome plated brass, in accordance to EN 50930-6
- * in accordance to EN 817
- * ceramic cartridge K-35 with hot water safety device

wall mounted single lever sink mixer, manufacturer KLUDI RAK LLC, KLUDI RAK PROJECT item no. RAK11009-09, type: wall mounted single lever sink mixer, DN 15/PN 10, chrome plated brass, solid lever, chrome plated metal, ceramic cartridge K-35 with hot water safety device, wall fastening, with swiveling (185°) spout L = 200 mm, PCA aerator M22 x 1, flow rate 3.8 ltr/min (1 gpm), S-unions 1/2 inch x 3/4 inch, dimensions: projection spout connection 35 mm, swiveling spout ~ 185°, projection spout 235 mm, lever projection 80 mm, for pressure type water heater, continuous line heater PN 10

Line Drawing:



Water Flow Rate#:



variation: ± 15%



RAK11009-09 online

2/6/2021

KLUDI
RAK

"We Stand for Water Saving"