

TECHNICAL DATASHEET

Reference: RAK11001-09

Product: PROJECT single lever bidet mixer



RAK11001-09

chrome

Product Description:

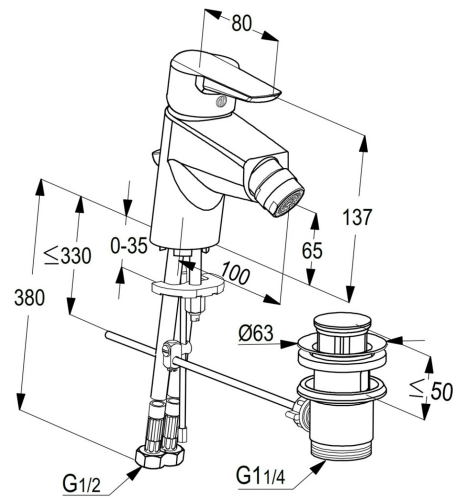
single lever bidet mixer DN 15
single hole mounted
solid lever
ceramic cartridge with hot water safety device
PCA ball joint aerator M24 x 1
flow level 1.0 gpm#
flexible high pressure supply tubes 1/2 inch
rapid installation set
pop up waste 1 1/4 inch
in accordance to EN 817
Pressure Compensating Aerator 1.0 gpm#

Advertisement:

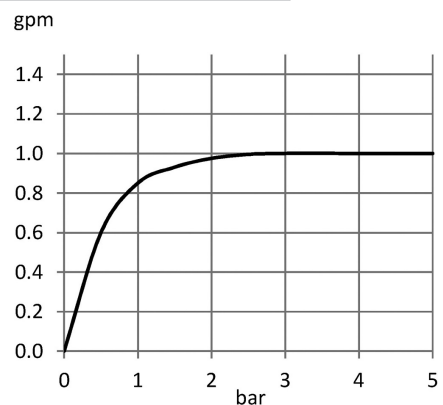
* KLUDI RAK LLC item no. RAK11001-09 PROJECT single lever bidet mixer
* chrome plated brass, in accordance to EN 50930-6
* in accordance to EN 817
* ceramic cartridge K-35 with hot water safety device

single lever bidet mixer, manufacturer KLUDI RAK LLC, KLUDI RAK PROJECT item no. RAK11001-09, type: single lever bidet mixer, DN 15/PN 10, chrome plated brass, solid lever, chrome plated metal, ceramic cartridge K-35 with hot water safety device, PCA ball joint aerator M24 x 1, flow level 1.0 gpm, flexible high pressure supply tubes 1/2 inch, with DVGW/KIWA/WRAS/CSTBAT approval, rapid installation set, with pop up waste 1 1/4 inch, for pressure type water heater dimensions: height 137 mm, nozzle height 65 mm, nozzle projection 100 mm, lever projection 80 mm

Line Drawing:



Water Flow Rate#:



variation: ± 15%



RAK11001-09 online

1/6/2021

KLUDI
RAK
"We Stand for Water Saving"