

TECHNICAL DATASHEET



RAK10061-09

chrome

Reference: RAK10061-09

Product: POLARIS single lever high-raised XL basin mixer

Product Description:

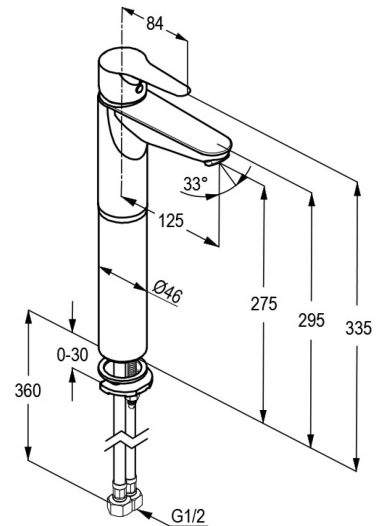
single lever basin mixer DN 15
single hole mounted
solid lever
ceramic cartridge with hot water safety device
PCA aerator M24 x 1
flexible high pressure supply tubes 1/2 inch
flow level 1.0 gpm (3.8 ltr/min)#
rapid installation set
in accordance to EN 817
Pressure Compensating Aerator 1.0 gpm (3.8 ltr/min)#

Advertisement:

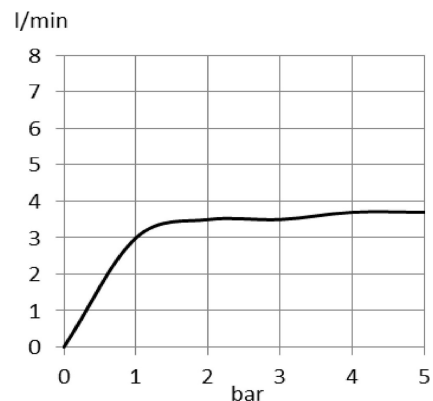
- * KLUDI RAK LLC item no. RAK10061-09 POLARIS XLHR single lever basin mixer
- * chrome plated brass, in accordance to EN 50930-6
- * in accordance to EN 817
- * ceramic cartridge K-35 with hot water safety device

single lever XL basin mixer with raised base, manufacturer KLUDI RAK LLC KLUDI RAK POLARIS item no. RAK10061-09 type: single lever basin mixer, DN 15/PN 10, chrome plated brass, solid lever, chrome plated metal, ceramic cartridge K-35 with hot water safety device, PCA aerator M24 x 1, flow level 1.0 gpm (3.8 ltr/min), flexible high pressure supply tubes 1/2 inch with DVGW/KIWA/WRAS/CSTBAT approval, rapid installation set, dimensions: height 335 mm, nozzle height 275 mm, nozzle projection 125 mm, lever projection 84 mm

Line Drawing:



Water Flow Rate#:



variation: ± 15%



RAK10061-09 online

1/6/2021

KLUDI
RAK

"We Stand for Water Saving"