

Product: KLUDI LOGO SL DUAL SHOWER SYSTEM WITH BATH SPOUT

Ref.: 6808305-00

Product description

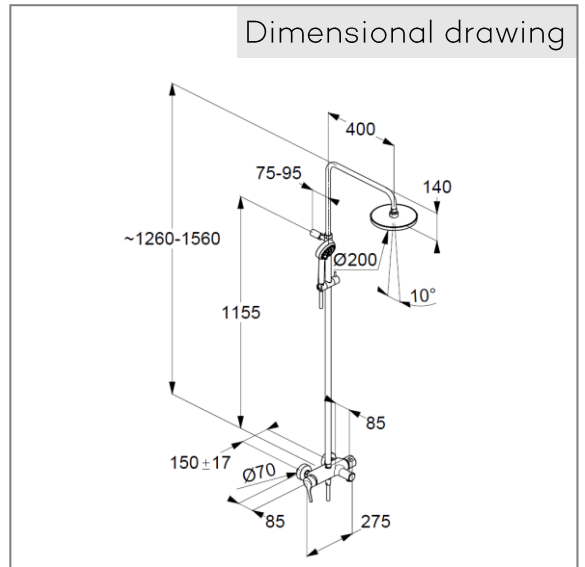
Single lever Dual Shower System with bath spout DN 15 wall fastening, ceramic cartridge with hot water safety device with ceramic valve as rotary valve outlet= bath spout/ Headshower/ Handshower, protected against back flow with slider horizontally and vertically adjustable with KLUDI headshower G 1/2 x Ø 200 mm with KLUDI LOGO 3S handshower G 1/2 (3 spray patterns Volumen, Booster, Smooth) Kludi Suparaflex Silver shower-hose 1/2 x 1/2 x 160 mm

Finishes: 05 chrome

Product picture



Dimensional drawing



Advertisement

Single lever Dual shower system with bath spout. manufacturer KLUDI GmbH & Co KG LOGO SL Dual Shower System with bath spout, item no. 6808305-00, DN 15/ Pn 10, chrome plated brass, ceramic cartridge with hot water safety device, with ceramic valve as rotary valve, outlet= bath spout/ Headshower/ Handshower, protected against back flow DIN EN 1717, S unions 1/2 x 3/4 inch, Kludi LOGO 3S handshower G 1/2 (3 spray patterns Volumen, Booster, Smooth) , DN 15, chrome plated plastic, with cleaning system, hand shower connection 1/2", with fixing kit, with KLUDI suparaflex Silver hose 1/2 x 1/2 x 1600 mm, with slider horizontally and vertically adjustable, with KLUDI headshower G 1/2 x Ø 200 mm

Flow rate diagram

