

Technical Data

KLUDI FRESHLINE
hand shower 1 S
DN 15

Ref.:
6780043-00

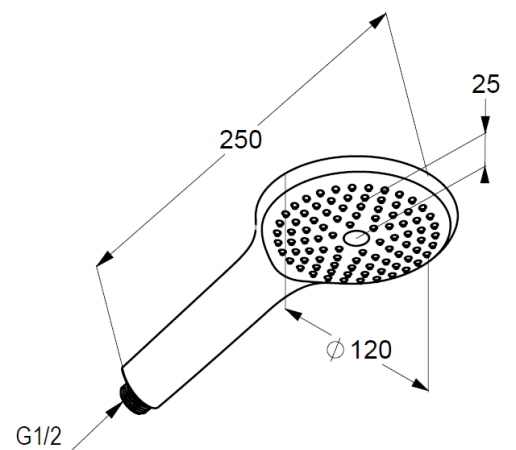
Finishes:
43 white

Product description
Manufacturer KLUDI GmbH & Co. KG
Typ: KLUDI FRESHLINE
hand shower 1 S DN 15
Ref.: 6780043-00
hand shower 1 S
1 spray pattern
with cleaning system
Flow rate at 3 bar = 30 l/min.
connection 1/2"
sieve seal

Product picture



Dimensional drawing



Flow rate diagram

