

Technical Data

KLUDI FRESHLINE
dual shower system
DN 15

Ref.:
6709005-00

Finishes:
05 chrome

Product description
Manufacturer KLUDI GmbH & Co. KG
Typ: KLUDI FRESHLINE
dual shower system
Ref.: 6709005-00

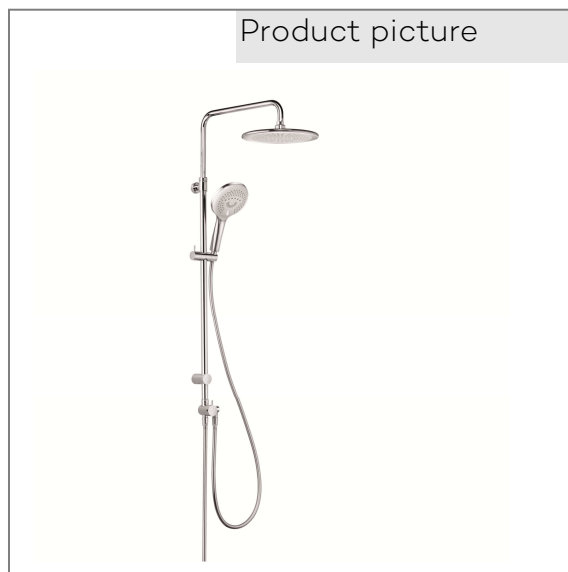
with horizontally and vertically adjustable pipe
protected against back flow
height-adjustable hand shower holder
With fixing material
for wall mounting
water supply with connecting hose
2 way ceramic diverter
without shower mixer

hand shower 3 S
3 spray pattern
Volumen/ booster/ smooth
with cleaning system
connection 1/2"
sieve seal

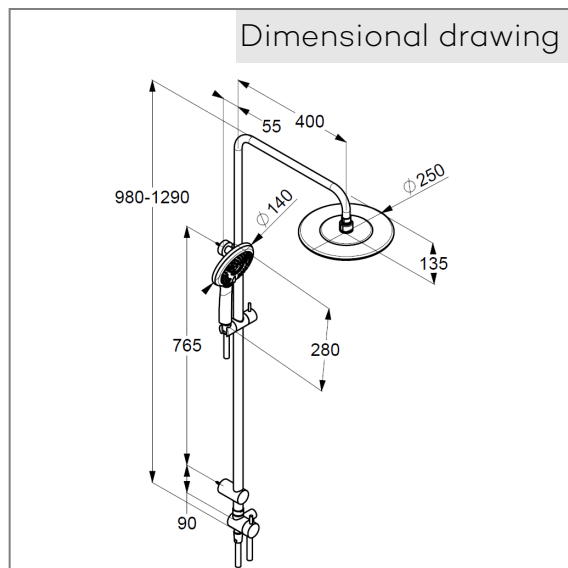
Shower hose
plastic coated
with metal-effect
with conical nuts
anti twist
G 1/2 x G 1/2 x 1600 mm

Head shower
1 spray pattern
with cleaning system
connection 1/2"
with ball joint
Ø 250 mm
sieve seal

Product picture



Dimensional drawing



Flow rate diagram

