

**Product:** KLUDI A-QA eco headshower 250 DN 15

**Ref.:** 6652105-00

**Product description**

head shower DN 15  
 Ø 250 mm  
 with ball joint  
 1/2 inch female thread  
 Flow rate 9,0 l/min  
 without shower arm  
 noise group I

Finishes:  
 05 chrome

**Product picture**

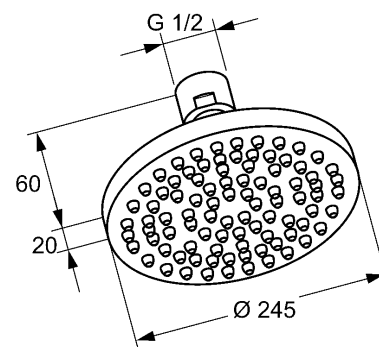


**Advertisement**

- \* KLUDI GmbH & Co KG KLUDI A-QA eco head shower 250 item no. 6652105-00
- \*\* chrome plated brass/plastic
- \*\*\* ajar to DIN EN 1112

head shower, manufacturer KLUDI GmbH & Co KG KLUDI A-QA eco head shower 250 item no. 6652105-00, DN 15, chrome plated brass/plastic, flow rate 9 l/min., noise level DIN EN 4109 group I, diameter head shower 245 mm, with ball joint, connection 1/2 inch female thread, with cleaning system, with 150 jets, PN 5,

**Dimensional drawing**



**Flow rate diagram**

