

## Technical Data

KLUDI A-QA  
Wall shower arm  
400 mm  
DN 15

Ref.:  
6651405-00

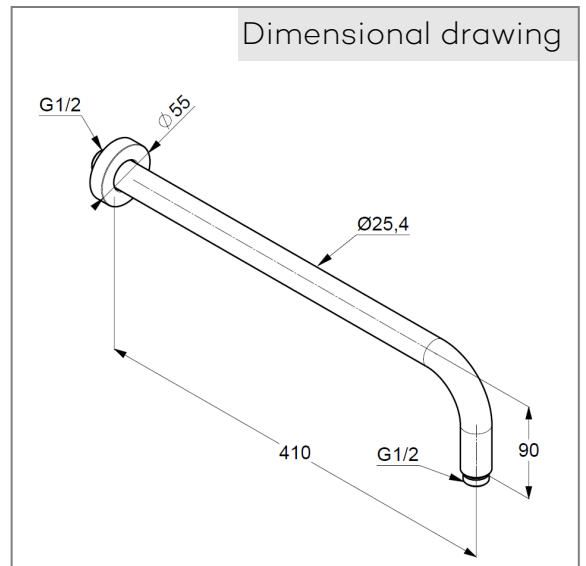
Finishes:  
05 chrome

Product description  
Manufacturer KLUDI GmbH & Co. KG  
Typ: KLUDI A-QA  
Wall shower arm DN 15  
400 mm  
Ref.: 6651405-00  
Wall shower arm  
Flow rate at 3 bar = 42 l/ min.  
connection 1/2"  
for head showers DN 15  
with push-on rosette  $\varnothing$  55 mm  
for rigid wall mounting  
projection 400 mm

Product picture



Dimensional drawing



Flow rate diagram

