

Product: **KLUDI A-QA wall supply with shower holder DN 15**

Ref.: **6556043-00**

Product description

wall supply DN 15
with shower holder
flow rate 25 l/min at 3 bar
with special ring to compensate for uneven tiling
with backflow prevention device
connection 1/2 x 1/2 inch

Finishes:
43 white

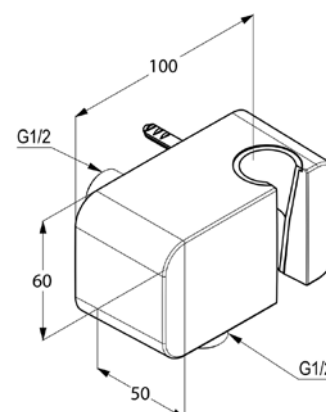
Product picture



Advertisement

wall supply, manufacturer KLUDI GmbH & Co. KG
KLUDI A-QA item no. 6556043-00
type: wall supply with shower holder DN 15 / PN 10, white plated metal, connection 1/2 x 1/2 inch, with backflow prevention device, flow rate 25 l/min at 3 bar, with special ring to compensate for uneven tiling
dimensions: height: 60 mm, width: 100 mm, depth: 50

Dimensional drawing



Flow rate diagram

