

Product: **KLUDI A-QA wall supply with shower holder DN 15**

Ref.: **6556005-00**

**Product description**

wall supply DN 15  
with shower holder  
flow rate 25 l/min at 3 bar  
with special ring to compensate for uneven tiling  
with backflow prevention device  
connection 1/2 x 1/2 inch

Finishes:  
05 chrome

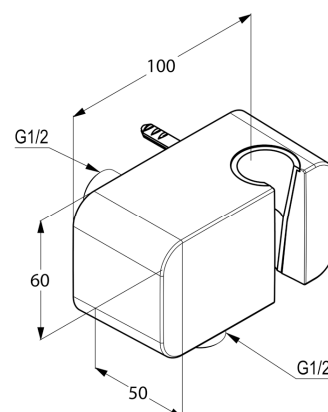
**Product picture**



**Advertisement**

wall supply, manufacturer KLUDI GmbH & Co. KG  
KLUDI A-QA item no. 6556005-00  
type: wall supply with shower holder DN 15 / PN 10, chrome plated metal, connection 1/2 x 1/2 inch, with backflow prevention device, flow rate 25 l/min at 3 bar, with special ring to compensate for uneven tiling  
dimensions: height: 60 mm, width: 100 mm, depth: 50

**Dimensional drawing**



**Flow rate diagram**

