

## Technical Data

KLUDI A-QA  
head shower 1 S  
250 mm  
DN 15

Ref.:  
6432591-00

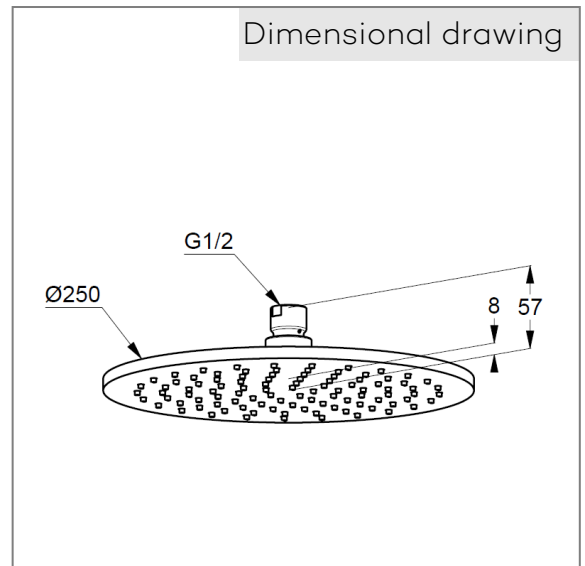
Finishes:  
91 white/ chrome

Product description  
Manufacturer KLUDI GmbH & Co. KG  
Typ: KLUDI A-QA  
head shower 1 S DN 15  
250 mm  
Ref.: 6432591-00  
head shower 1 S  
1 spray pattern  
with cleaning system  
Flow rate at 3 bar = 23 l/ min.  
connection 1/2"  
with ball joint  
Ø 250 mm  
sieve seal

Product picture



Dimensional drawing



Flow rate diagram

