

Product: **KLUDI SUPARAFLEX SILVER-hose DN 15**

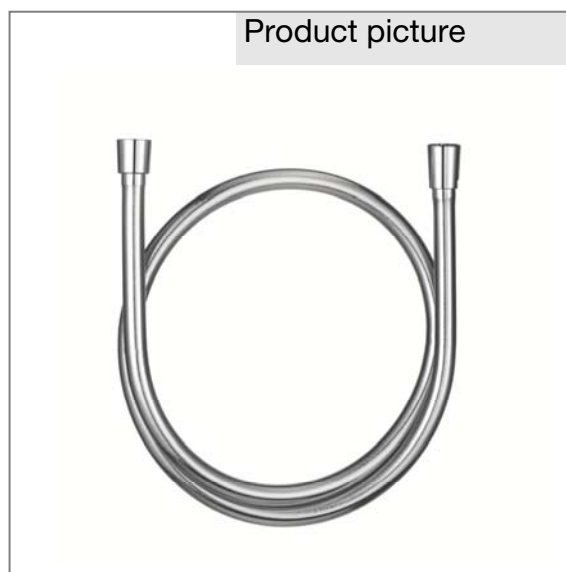
Ref.: **6107105-00**

Product description

KLUDI SUPARAFLEX SILVER- hose DN 15
 plastic coated
 with metal-effect (silver)
 with conical nuts
 anti twist
 G 1/2 x G 1/2 x 1250 mm

Finishes:
 05 chrome

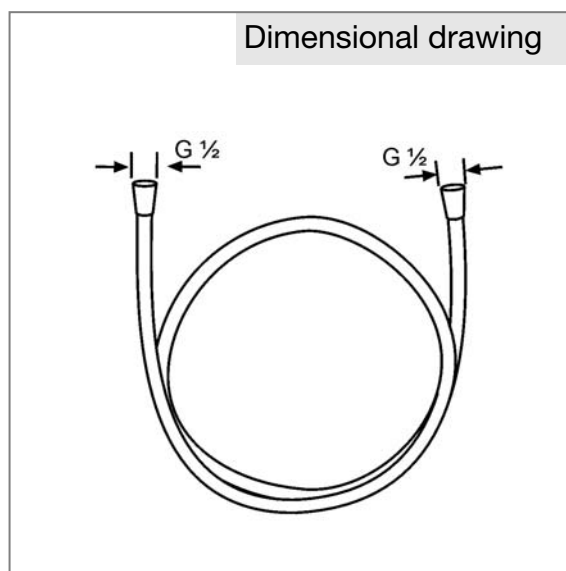
Product picture



Advertisement

shower hose, manufacturer KLUDI GmbH & Co KG KLUDI SUPARAFLEX SILVER- hose
 item no. 6107105-00, DN 15, plastic, with metal effect (silver), with anti twist, conical
 nuts chrome plated 1/2 x 1/2 inch x 1250 mm, PN 5,

Dimensional drawing



Flow rate diagram

