

**Product:** KLUDI LOGOFLEX-hose DN 15

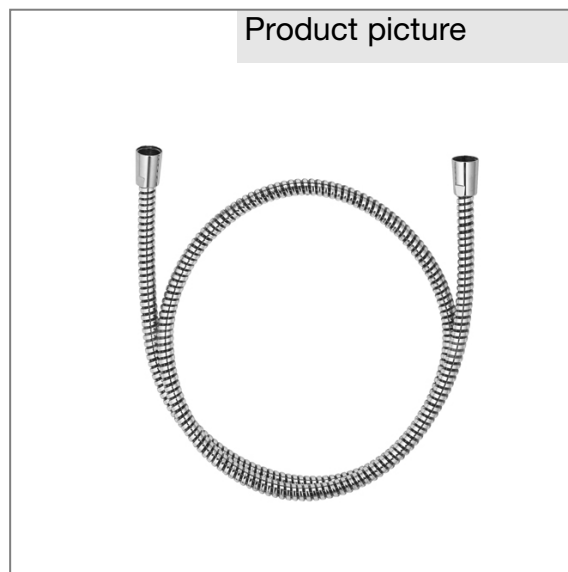
**Ref.:** 6105505-00

**Product description**

LOGOFLEX-hose DN 15  
 plastic coated  
 with metal-effect  
 with conical nuts  
 G 1/2 x G 1/2 x 1250 mm

Finishes:  
 05 chrome

**Product picture**

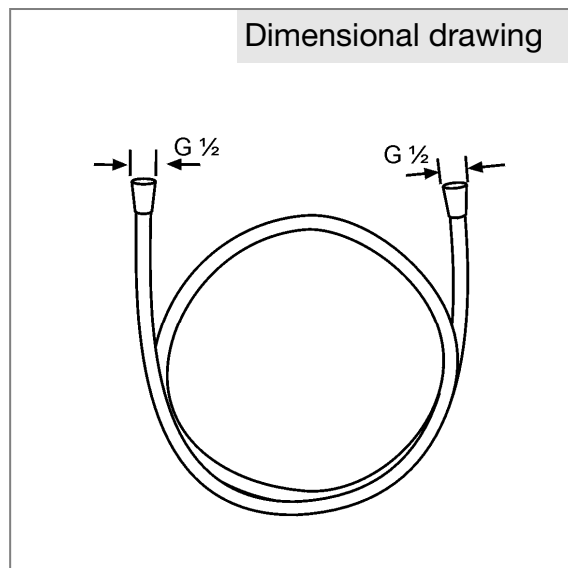


**Advertisement**

- \* KLUDI GmbH & Co KG KLUDI LOGOFLEX hose  
 item no. 6105505-00
- \*\* with metal-effect
- \*\*\* DIN EN 1113

shower hose, manufacturer KLUDI GmbH & Co KG KLUDI LOGOFLEX hose item no. 6105505-00, DN 15, plastic coated with metal-effect, with conical nuts chrome plated 1/2 x 1/2 inch x 1250 mm, PN 5,

**Dimensional drawing**



**Flow rate diagram**

