

Product: KLUDI drench shower DN 15

Ref.: 6051005-00

Product description

drench shower DN 15
 wall fastening
 flow class D
 heavy die-casted model
 with ball joint and escutcheon Ø 58 mm
 noise group I

Finishes:
 05 chrome

Product picture

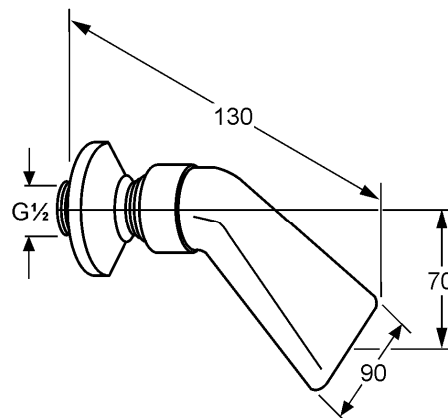


Advertisement

- * KLUDI GmbH & Co KG KLUDI drench shower item no. 6051005-00
- ** chrome plated brass, DIN 50930-6 / DIN EN 248
- *** DIN EN 200

drench shower, manufacturer KLUDI GmbH & Co KG KLUDI drench shower item no. 6051005-00, DN 15, chrome plated, heavy die-casted model, with ball joint and escutcheon, free-outlet, connection 1/2 inch, breadth 90 mm, projection 130 mm, with wall-rosette Ø 58 mm, noise level DIN 4109 group II, without report no., flow rate (free flow) at 3 bar ~ 37,0 l/min, PN 5,

Dimensional drawing



Flow rate diagram

