

Product: KLUDI AMBA concealed THM shower mixer, trim set with functional unit

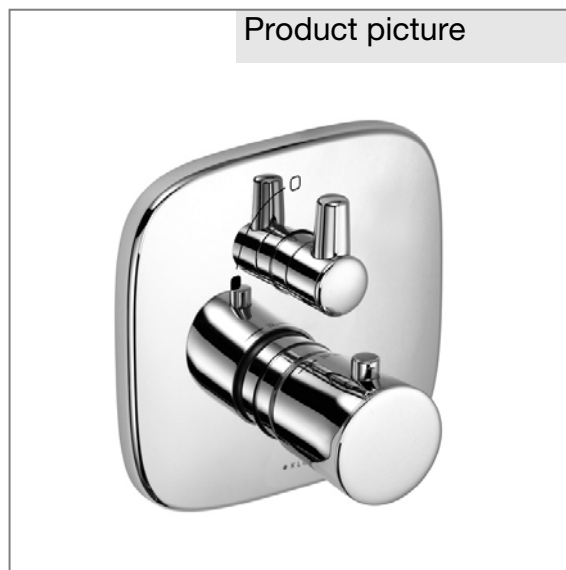
Ref.: 538350575

Product description

concealed thermostatic shower mixer
trim set with functional unit
with ceramic shut-off valve
hot water safety device 38 °C
without pre-installation set
KLUDI FLEXX.BOXX 88011

Finishes:
05 chrome

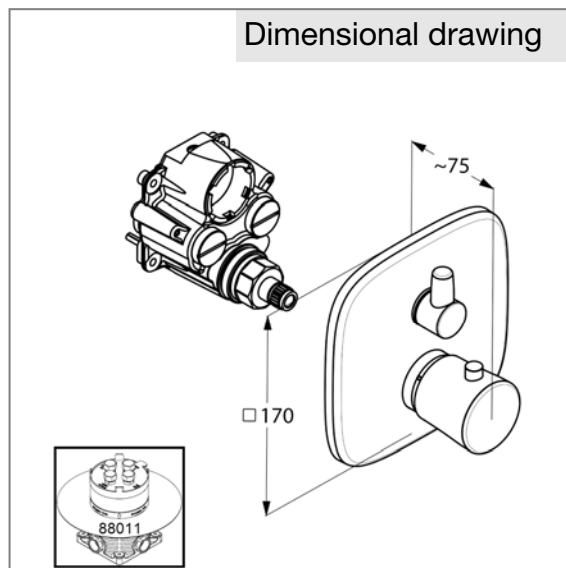
Product picture



Advertisement

concealed thermostatic shower mixer, manufacturer KLUDI GmbH & Co. KG
KLUDI AMBA item no. 538350575
type: concealed thermostatic shower mixer trim set with functional unit THM for pre-installation set KLUDI FLEXX.BOXX DN 20 item no. 88011, handles chrome plated metal, cover plate chrome plated plastic, with ceramic shut-off valve, temperature control handle with hot water safety device 38°C, flow rate 20 l/min at 3 bar, functional unit made of dezincification resistant brass, dimensions: cover plate: 170/170 mm, handle projection: 75 mm
Suitable for pre-installation set KLUDI FLEXX.BOXX DN 20 item no. 88011, not included.

Dimensional drawing



Flow rate diagram

