

Product: **KLUDI AMBA concealed valve DN 20**

Ref.: **53811**

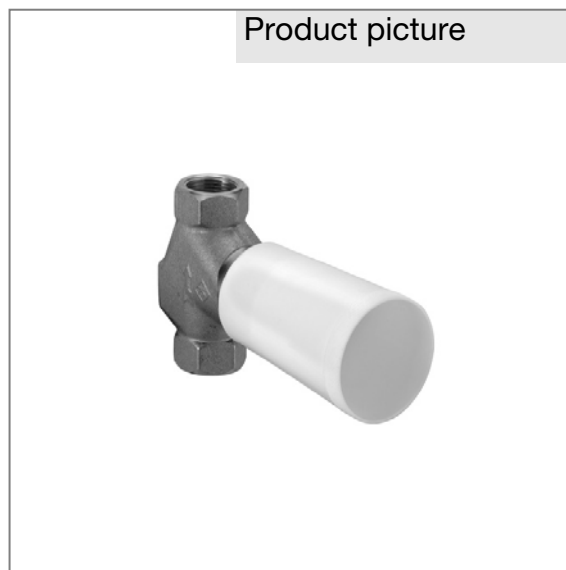
Product description

concealed valve DN 20
 pre-installation set
 ceramic headpart 90°
 flow rate 75 l/min at 3 bar
 thread connection 3/4 inch
 protection sleeve

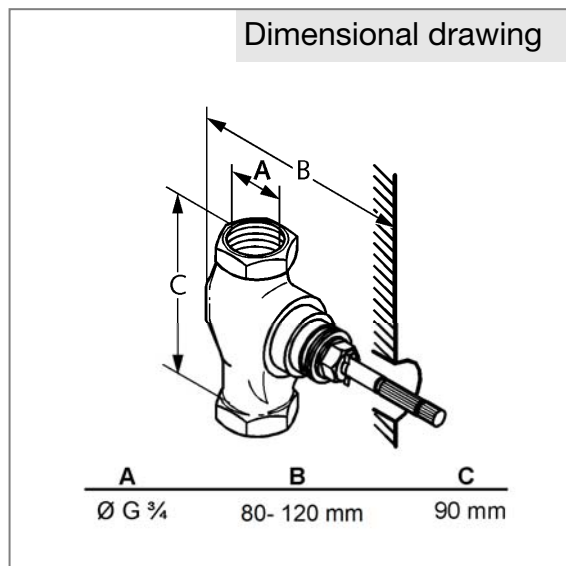
Advertisement

concealed valve, manufacturer KLUDI GmbH & Co. KG
 KLUDI AMBA item no. 53811
 type: concealed valve DN 20 / PN 10, pre-installation set, dezincification resistant
 brass, ceramic headpart 90°, flow rate 75 l/min at 3 bar, thread connection 3/4 inch,
 with protection sleeve
 dimensions: height: 90 mm, installation depth: 80 - 120 mm

Product picture



Dimensional drawing



Flow rate diagram

