

**Product:** KLUDI AMBA concealed bath/shower mixer, trim set with functional unit

**Ref.:** 536570575

**Product description**

concealed bath and shower mixer  
 trim set with functional unit  
 wall mounting  
 solid lever  
 ceramic cartridge with hot water safety device  
 flow rate bath tub filler 21 l/min at 3 bar  
 flow rate shower outlet 31 l/min at 3 bar  
 automatic diverter: shower to bath tub  
 protected against back flow  
 without pre-installation set  
 KLUDI FLEXX.BOXX item no. 88011  
 noise group II, P-IX 28134/IIDB

Finishes:  
 05 chrome

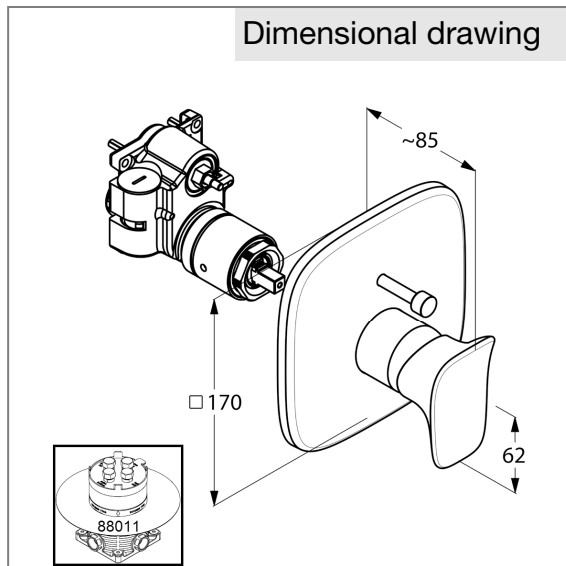
**Advertisement**

concealed bath/shower mixer valve, manufacturer KLUDI GmbH & Co. KG  
 KLUDI AMBA item no. 536570575  
 type: concealed bath and shower mixer trim set with functional unit, solid lever  
 chrome plated metal, cover plate chrome plated plastic, ceramic cartridge K-41 with  
 hot water safety device, flow rate to bath tub filler 21 l/min at 3 bar, flow rate to  
 shower outlet 31 l/min at 3 bar, automatic diverter: shower to bath tub, functional unit  
 made of dezincification resistant brass, protected against back flow DIN EN 1717,  
 noise level DIN EN 4109 noise group II, report no. P-IX 28134/IIDB  
 dimensions: diameter cover plate: 170/170 mm, lever projection: 85 mm,  
 projection: 62 mm  
 Suitable for pre-installation set KLUDI FLEXX.BOXX DN 20 item no. 88011,  
 not included.

Product picture



Dimensional drawing



Flow rate diagram

