

Product: KLUDI AMBA concealed bath/shower mixer, trim set with functional unit

Ref.: 536500575

Product description

concealed bath and shower mixer
 trim set with functional unit
 wall mounting
 solid lever
 ceramic cartridge with hot water safety device
 flow rate to bath tub 31 l/min at 3 bar
 flow rate to shower 29 l/min at 3 bar
 automatic diverter: shower to bath tub
 without pre-installation set
 KLUDI FLEXX.BOX item no. 88011
 noise group I, PA-IX 18967/IDC

Finishes:
 05 chrome

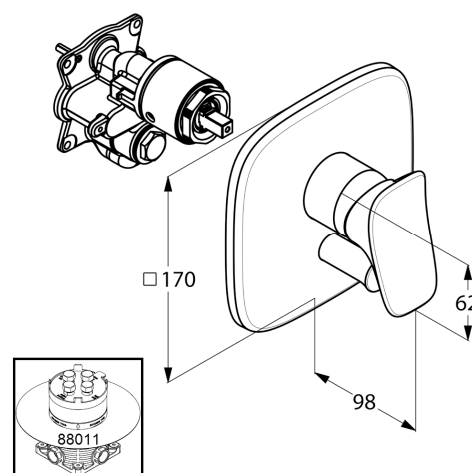
Product picture



Advertisement

concealed bath/shower mixer valve, manufacturer KLUDI GmbH & Co. KG
 KLUDI AMBA item no. 536500575
 type: concealed bath and shower mixer trim set with functional unit, solid lever
 chrome plated metal, cover plate chrome plated plastic, ceramic cartridge K-41 with
 hot water safety device, flow rate to bath tub filler 31 l/min at 3 bar, flow rate to
 shower outlet 29 l/min at 3 bar, automatic diverter: shower to bath tub, functional unit
 made of dezincification resistant brass,
 noise group I, PA-IX 18967/IDC
 dimensions: cover plate: 170/170 mm, lever projection: 98 mm, lever: 62 mm
 Suitable for pre-installation set KLUDI FLEXX.BOX DN 20 item no. 88011,
 not included.

Dimensional drawing



Flow rate diagram

