

**Product:** KLUDI AMBA thermostatic bath and shower mixer  
DN 15

**Ref.:** 534010538

**Product description**

thermostatic bath and shower mixer DN 15  
wall fastening  
temperature control handle with hot water safety device 38°C  
with ceramic shut-off valve 180°  
aerator M 28 x 1  
50 % water consumption regulation  
flow rate bath tub 17,1 l/min at 3 bar  
flow rate shower 18,7 l/min at 3 bar  
temperature insulated body  
shower outlet 1/2 inch  
protected against back flow  
dirt-catcher sieve  
S unions 1/2 x 3/4 inch

Finishes:  
05 chrome

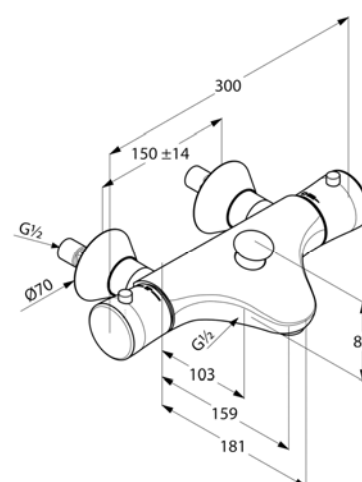
**Advertisement**

thermostatic bath and shower mixer, manufacturer KLUDI GmbH & Co. KG  
KLUDI AMBA item no. 534010538  
type: thermostatic bath and shower mixer, DN 15 / PN 10, chrome plated brass, ceramic headpart 180°, solid handle chrome plated metal, temperature control handle with hot water safety device 38°C, bath tub filler with aerator 28 x 1, flow rate at bath tub filler 17,1 l/min at 3 bar, flow rate at shower outlet 18,7 l/min at 3 bar, shower outlet 1/2 inch, automatic diverter: shower to bath tub, protected against back flow DIN EN 1717, concealed S unions 1/2 x 3/4 inch, dirt-catcher sieve, 50% water consumption regulation, temperature insulated body  
dimensions: width: 300 mm, projection: 181 mm, nozzle projection: 159 mm, center distance: 150 mm

Product picture



Dimensional drawing



Flow rate diagram

