

Product: KLUDI AMBA single lever basin mixer DN 15, with pop up waste

Ref.: 530230575

Product description

single lever basin mixer DN 15
 single hole mounted
 solid lever
 ceramic cartridge
 aerator M 24 x 1
 flow rate 5 l/min at 3 bar
 flexible high pressure supply tubes G 3/8 inch
 rapid installation set
 pop up waste 1 1/4 inch

Finishes:
 05 chrome

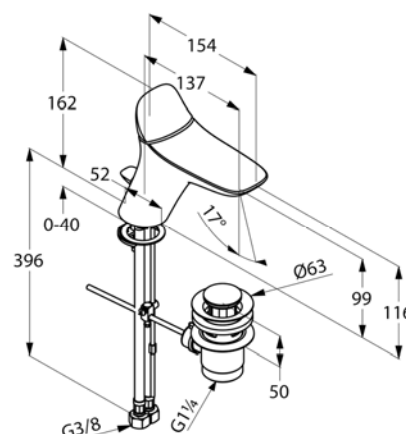
Product picture



Advertisement

single lever basin mixer, manufacturer KLUDI GmbH & Co KG
 KLUDI AMBA item no. 530230575
 type: single lever basin mixer, DN 15 / PN 10, chrome plated brass, with pop up waste 1 1/4 inch rod-pull and pull knob chrome plated, solid lever chrome plated metal, ceramic cartridge K-28, aerator M 24 x 1, flow rate 5 l/min at 3 bar, flexible high pressure supply tubes 3/8 inch with DVGW / W270 approval, rapid installation set
 dimensions: height: 162 mm, nozzle height: 99 mm, projection: 154 mm

Dimensional drawing



Flow rate diagram

