

Product: KLUDI BALANCE concealed thermostatic shower mixer, trim set with functional unit

Ref.: 52835..75

Product description

concealed thermostatic shower mixer
 trim set with functional unit
 with ceramic shut-off valve
 hot water safety device 38 °C
 without pre-installation set
 KLUDI FLEXX.BOXX 88011
 noise group II, P-IX 18444/IICC

Finishes:
 05 chrome
 91 chrome/white

Product picture

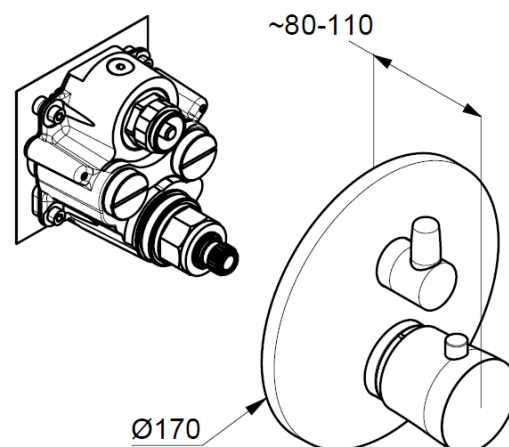


Advertisement

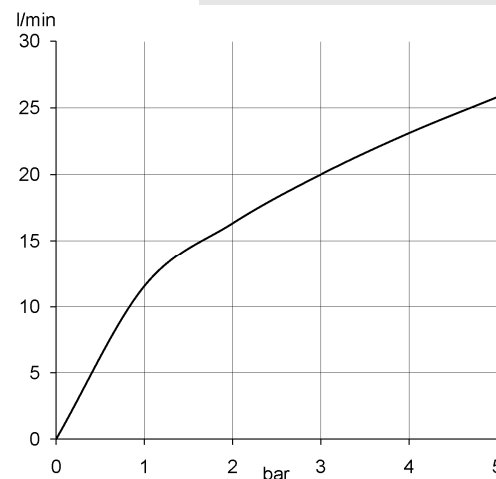
- * KLUDI GmbH & Co. KG KLUDI BALANCE concealed thermostatic shower mixer, trim set with functional unit item no. 52835..75
- ** chrome or chrome/white plated plastic / brass
- *** trim set with concealed mixer THM for KLUDI FLEXX.BOXX DN 20 item no. 88011

concealed thermostat shower mixer, manufacturer KLUDI GmbH & Co. KG
 type KLUDI BALANCE concealed thermostat shower mixer with trim set item no. 52835..75, finishes, trim set with functional unit THM for pre-installation set KLUDI FLEXX.BOXX DN 20 item no. 88011, with ceramic shut-off valve, cover plate chrome plated plastic, diameter cover plate 170 mm, temperature control handle with hot water safety device 38°C, handles chrome or chrome/white plated plastic/brass, without extension set item no. 7300600-00, without pre-installation set KLUDI FLEXX.BOXX item no. 88011, noise level DIN 4109 noise group II, P-IX 18444/IICC
 Optimal function only in combination with KLUDI products,

Dimensional drawing



Flow rate diagram



● KLUDI ●

[Redacted]

[Redacted]

[Redacted]

[Redacted]

[Redacted]

[Redacted]

[Redacted]
