

Product: KLUDI Balance concealed thermostatic mixer, trim set with functional unit

Ref.: 527290575

Product description

concealed thermostatic mixer
 trim set with functional unit
 without shut-off valve
 hot water safety device 38 °C
 without pre-installation set
 KLUDI FLEXX.BOXX item no. 88011

Finishes:
 05 chrome

Product picture



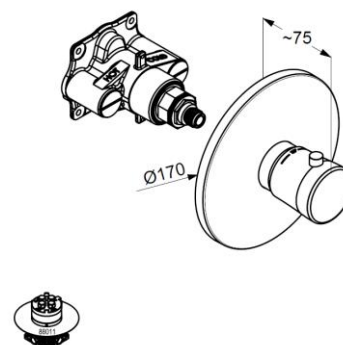
Advertisement

concealed thermostatic mixer, manufacturer KLUDI GmbH & Co. KG,

KLUDI Balance item no. 527290575

type: concealed thermostatic mixer trim set with functional unit THM for pre-installation set KLUDI FLEXX.BOXX DN 20 item no. 88011, without shut-off valve, handle chrome plated metal, cover plate chrome plated plastic, temperature control handle with hot water safety device 38°C, flow rate 40 l/min at 3 bar, functional unit made of dezincification resistant brass, Suitable for pre-installation set KLUDI FLEXX.BOXX DN 20 item no. 88011, not included.

Dimensional drawing



Flow rate diagram

