

Product: **KLUDI BALANCE single lever shower mixer DN 15**

Ref.: **527100575**

Product description

single lever shower mixer DN 15
 solid lever
 wall fastening
 flow class B
 ceramic cartridge with hot water safety device
 shower outlet G 1/2
 protected against back flow
 S unions
 without shower set
 noise group I

Finishes:
 05 chrome

Product picture

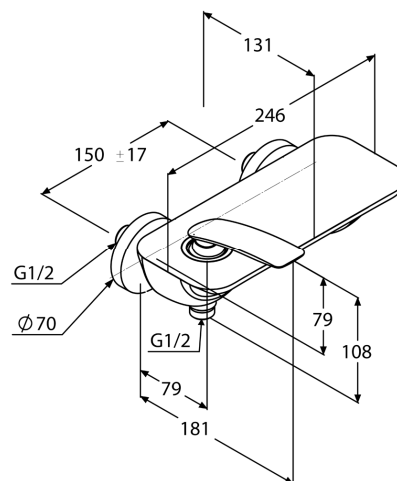


Advertisement

- * KLUDI GmbH & Co KG KLUDI BALANCE single lever shower mixer item no. 527100575
- ** ceramic cartridge with hot water safety device Ø 35 mm, DIN EN 817
- *** chrome plated brass, DIN 50930-6

single lever shower mixer, manufacturer KLUDI GmbH & Co KG KLUDI BALANCE single lever shower mixer item no. 527100575, DN 15, chrome plated brass, ceramic cartridge with hot water safety device Ø 35 mm, solid lever, noise level DIN 4109 group I, without report no., type: single lever shower mixer DN 15, shower outlet 1/2 inch, protected against back flow DIN EN 1717, S unions 1/2 x 3/4 inch, projection 131/181 mm, lever projection 102 mm, flow class B (max. 0,29 l/s), for pressure type water heater, for continuous line heater, PN 10,

Dimensional drawing



Flow rate diagram

