

Product: KLUDI BALANCE concealed shower mixer, trim set with functional unit

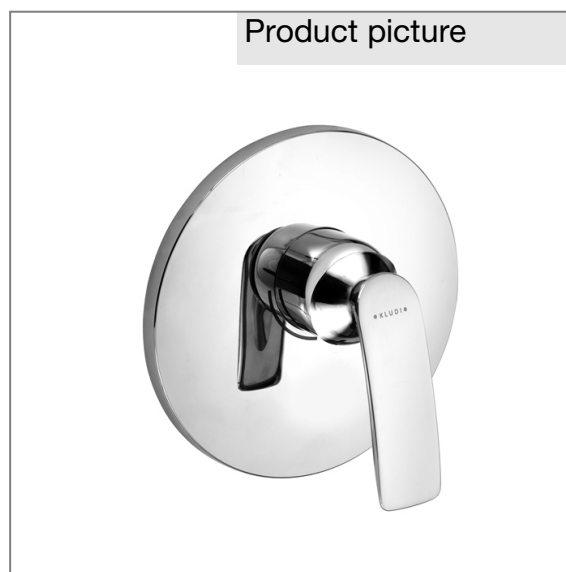
Ref.: 52655..75

Product description

concealed shower mixer
 trim set with functional unit
 solid lever
 wall fastening
 ceramic cartridge with hot water safety device
 flow class DC
 without pre-installation set
 KLUDI FLEXX.BOXX 88011
 noise group I, PA-IX 18967/IDC

Finishes:
 05 chrome
 91 chrome/white

Product picture

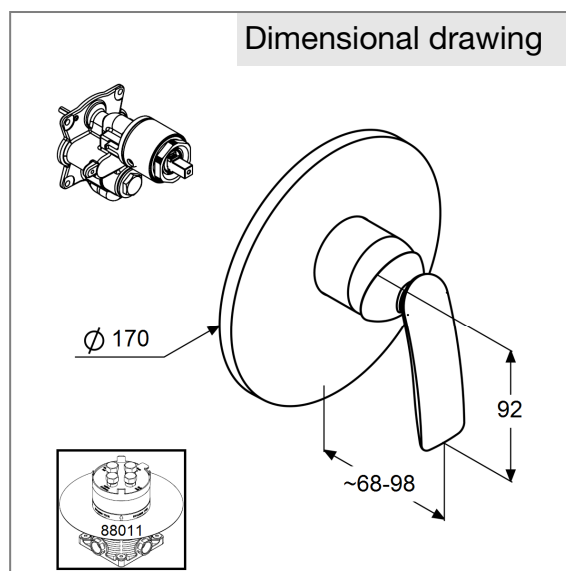


Advertisement

- * KLUDI GmbH & Co KG KLUDI BALANCE concealed shower mixer trim set with functional unit item no. 52655..75
- ** plated brass/plastic
- *** trim set with concealed shower mixer for KLUDI FLEXX.BOXX DN 20 item no. 88011

concealed shower mixer valve, manufacturer KLUDI GmbH & Co. KG type KLUDI BALANCE concealed shower mixer with trim set item no. 52655..75, trim set with functional unit for pre-installation set KLUDI FLEXX.BOXX DN 20 item no. 88011, finishes 05 = chrome plated / 91 = chrome/white plated, metal solid lever, plastic cover plate, cover plate Ø 170 mm, ceramic cartridge with hot water safety device, without extension set item no. 7300600-00, without pre-installation set KLUDI FLEXX.BOXX item no. 88011, noise level DIN 4109 noise group I, PA-IX 18967/IDC
 Optimal function only in combination with KLUDI products,

Dimensional drawing



Flow rate diagram

