

Technical Data

KLUDI BALANCE
Single lever basin mixer
DN 15

Ref.:
520239175

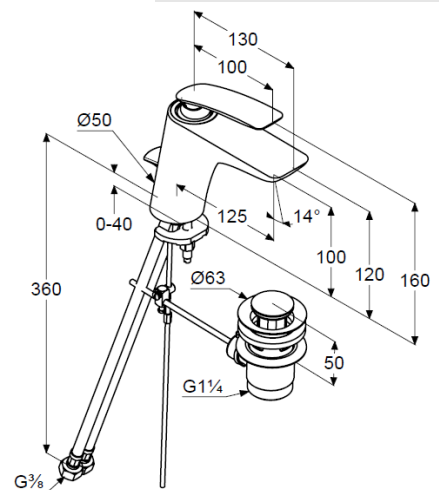
Finishes:
91 white/ chrome

Product description
Manufacturer KLUDI GmbH & Co. KG
Typ: KLUDI BALANCE
Single lever basin mixer
Ref.: 520239175
Basin mixer DN 15/ PN 10
single lever mixer
single hole mounted
solid lever, metal
Aerator, S-Pointer M24
ceramic cartridge with hotwater safety device
flow rate at 3 bar = 8 l/ min.
flexible hoses G 3/8 DVGW approved
rapid installation set
pop up waste 1 1/4" metal

Product picture



Dimensional drawing



Flow rate diagram

