

Product: KLUDI ADLON angle valve DN 15

Ref.: 51843 .. 20

Product description

angle valve DN 15
 cross handle
 wall fastening
 flow class D
 ceramic headpart 90°
 sliding cover plate
 connection G 1/2 x G 3/8
 marked: neutral
 noise group I

Finishes:
 05 chrome
 45 permabrass

Product picture

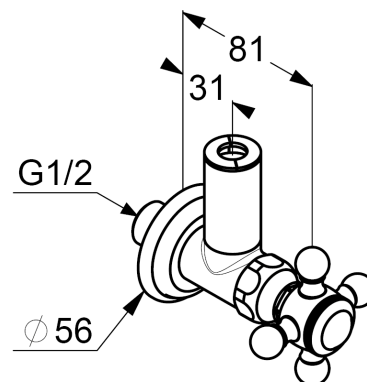


Advertisement

- * KLUDI GmbH & Co KG KLUDI ADLON angle valve item no. 51843..20
- ** ceramic headpart 90°, DIN EN 200
- *** chrome plated brass, DIN 50930-6

angle valve, manufacturer KLUDI GmbH & Co KG KLUDI ADLON angle valve item no. 51843..20, DN 15, surface: 05 = chrome plated / 45 = permabrass plated brass, connection thread 1/2 inch, for connection with 3/8 inch thread joints, cross handle, sliding cover plate, cover plate 56 mm, projection 81 mm, flow class D (max 0,42 l/s), noise level DIN 4109 group I, without report no., ceramic headpart 90°, for pressure type water heater, for continuous line heater, PN 10,

Dimensional drawing



Flow rate diagram

