

Product: KLUDI Q-BEO single lever bidet mixer DN 15

Ref.: 502160565

Product description

single lever bidet mixer DN 15
 solid lever
 single hole mounted
 flow rate 9 l/min. at 3bar
 ball-joint cascade aerator M 24 x 1
 ceramic cartridge with hot water safety device
 pop up waste 1 1/4 inch
 rapid installation set
 flexible high pressure supply tubes G 3/8
 noise group I
 P-IX 18510/IA

Finishes:
 05 chrome

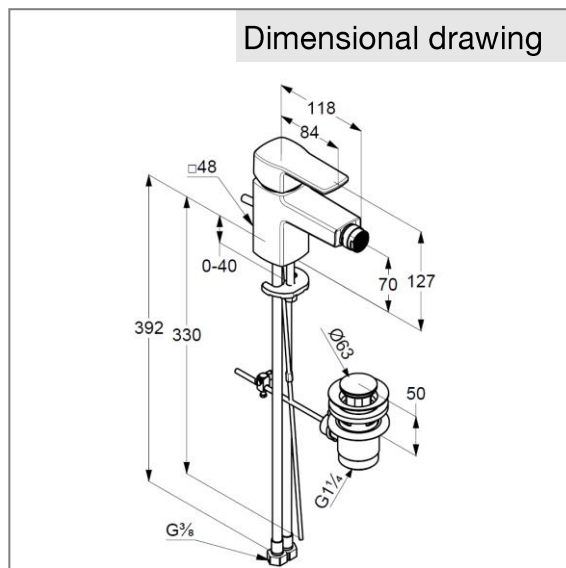
Product picture



Advertisement

bidet mixer, manufacturer KLUDI GmbH & Co. KG, KLUDI Q-BEO bidet mixer item no. 502160565, DN 15, chrome plated brass, ceramic cartridge with hot water safety device Ø 35 mm, solid lever, noise level DIN 4109 group I, report no. P- IX 18510/IA, type: bidet mixer DN 15, flow rate 9 l/min. at 3 bar, pop up waste 1 1/4 inch, flexible high pressure supply tubes 3/8 inch with metal body length 350 mm with DVGW / KIWA / WRAS / CSTB approval (W543/W270), nozzle projection 118 mm, nozzle height 70 mm, lever projection 84 mm, rapid installation set, ball joint cascade aerator M 24 x 1, overall length 127 mm, for pressure type water heater, for continuous line heater, PN 10,

Dimensional drawing



Flow rate diagram

