

Product: KLUDI Q-BEO wall rail DN 15

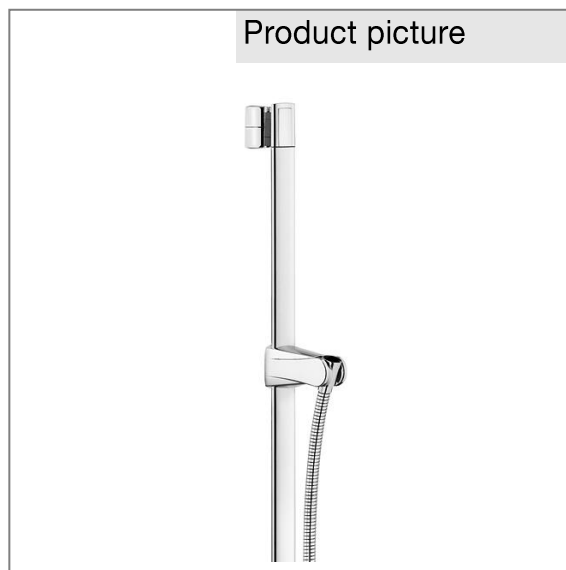
Ref.: 5012005-00

Product description

wall rail DN 15
 sliding bar
 L = 900 mm
 with slider horizontally about sliding bar adjustable
 with slider vertically about traction adjustable
 about 90° right and left rotatable
 with anti twist shower hose
 G 1/2 x G 1/2 x 1600 mm
 without KLUDI handshower DN 15

Finishes:
 05 chrome

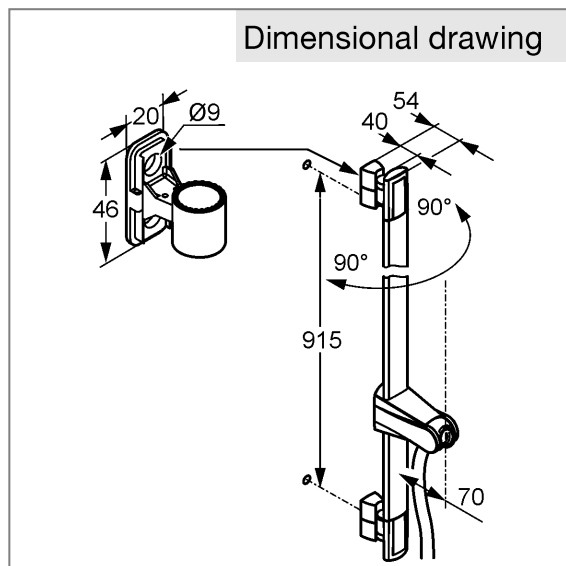
Product picture



Advertisement

shower set, manufacturer KLUDI GmbH & Co. KG, KLUDI Q-BEO shower set item no. 5012005-00, oval shower rod length 900 mm of chrome plated plastic/brass, with shower holder for conical nuts, shower holder adjustable horizontally via wall rail and vertically via pull, oval pivoting shower rail 90°/90°, with shower hose 1600 mm in length, 1/2 inch x 1/2 inch, of plastic with chrome appearance with metallic effect and chrome-plated conical nuts, resistant to twisting or kinking, with fastening materials, without KLUDI handshower, for drilled hole distance of 915 mm, PN 5, Optimal function only in combination with KLUDI handshowers,

Dimensional drawing



Flow rate diagram

